

www.airblowerservices.com

1.630.372.9222

ALL STAR™

Regenerative Blowers
Vacuum Pumps

Model	e	Hz	HP	kW	SCFM	Pressure		Vacuum		Noise Level	Net Weight	
						mbar	"H2O	mbar	"H2O		kg	lbs
RB9-15-3	3	60	15	11	850	190	76	190	76	81 db(A)	100	221
		50		10	700	202	81	209	80	76 db(A)	100	221
RB9-20-3	3	60	20	15	850	294	118	294	118	81 db(A)	112	247
		50		13	700	300	120	300	120	76 db(A)	112	247
RB9-30-3	3	60	30	22	850	430	173	375	151	81 db(A)	159	351
		50		20	700	445	179	350	141	76 db(A)	159	351

*Refer to curves below for detailed performance data. Data subject to change without notice. Actual performance may vary by ±10%.

STANDARD FEATURES

- Housing - Aluminum
- Impeller - Aluminum, dynamically balanced
- Direct drive impeller
- Shock absorbing mounting base
- Quiet operation - below OSHA limits
- Inlet & outlet silencers included
- Motor shaft seal standard
- IP 54 TEFC 2 pole squirrel cage ac motor
- 40 Deg C ambient
- Class H insulation 1.15 service factor
- Performance tested ANSI/AMCA210-85
- Voltage
 - 1 = 1/60/50/115/230
 - 2 = 1/60/50/230
 - 3 = 3/60/208-230/460 3/50/220/380

3/60/208-230/460 & 3/50/220/380

RB9-15-3 replaces HB-919

RB9-20-3 replaces HB-929

RB9-30-3 replaced HB-939

REQUIRED ACCESSORIES

Note: To obtain warranty coverage a relief valve and filter are required.

Pressure Relief Valve RV-02
Pressure Relief Valve RVA-02

Vacuum Relief Valve RV-02
Vacuum Relief Valve RVA-02

Pressure Intake Air Filter F245P-400
Vacuum Air Filter CSL-335P-400



TECHNICAL DATA

[Available online www.all-star-usa.com]

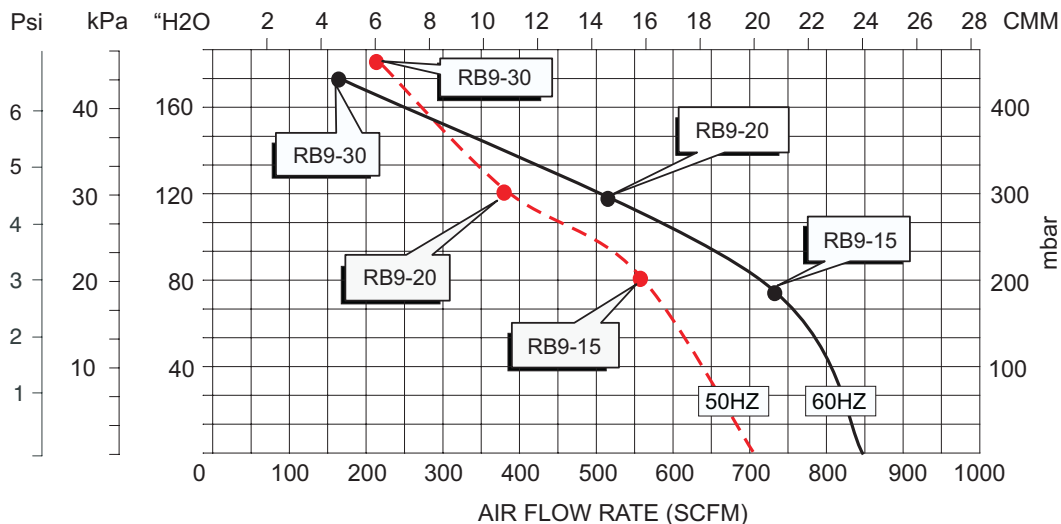
- Performance Temperature Rise Curves
- AutoCad files
- Parts List
- Full load amperage



RoHS Compliant

PRESSURE DATA CURVES ±10%

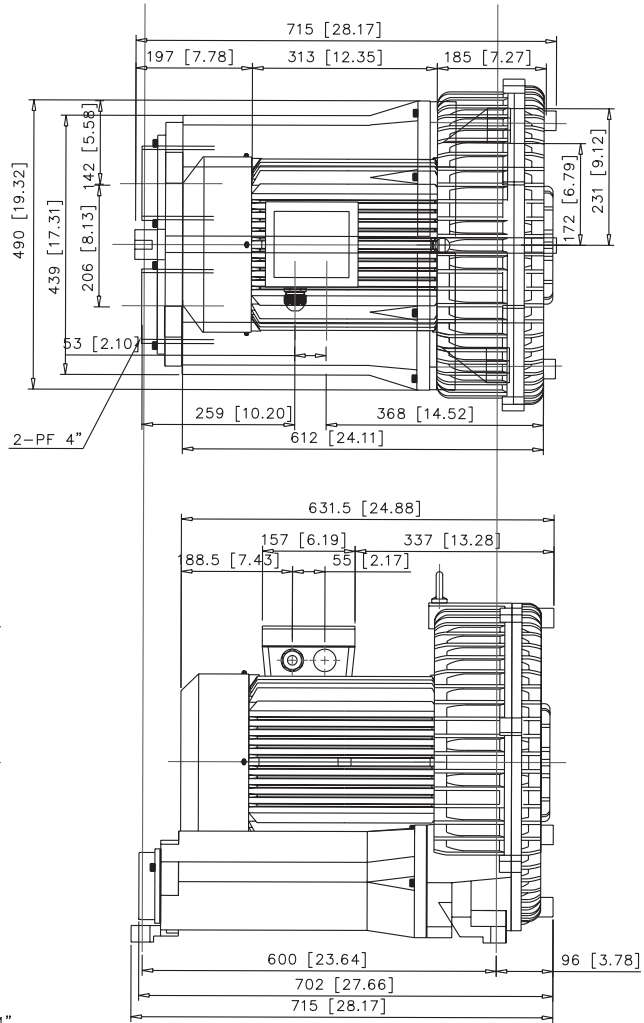
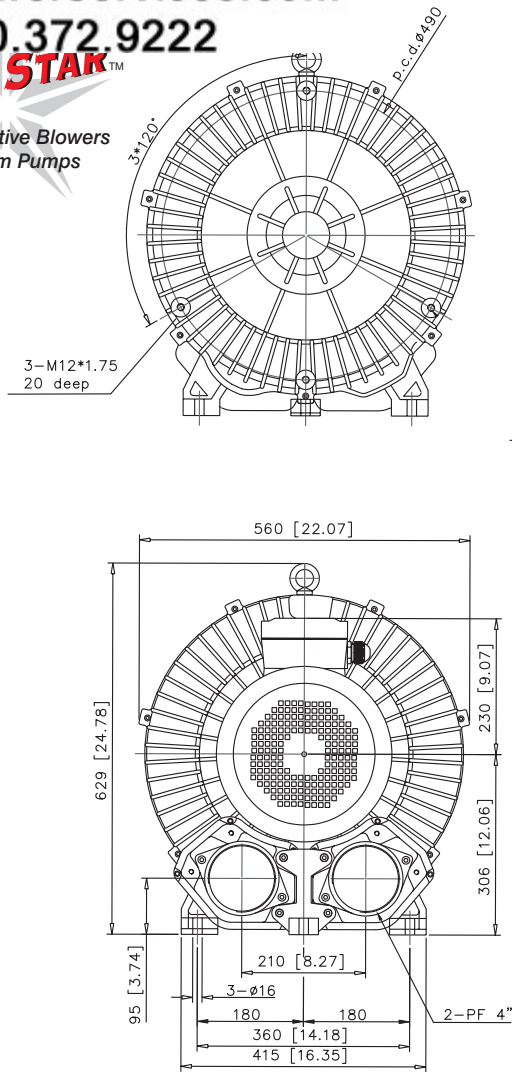
[See reverse side for Vacuum Curves]



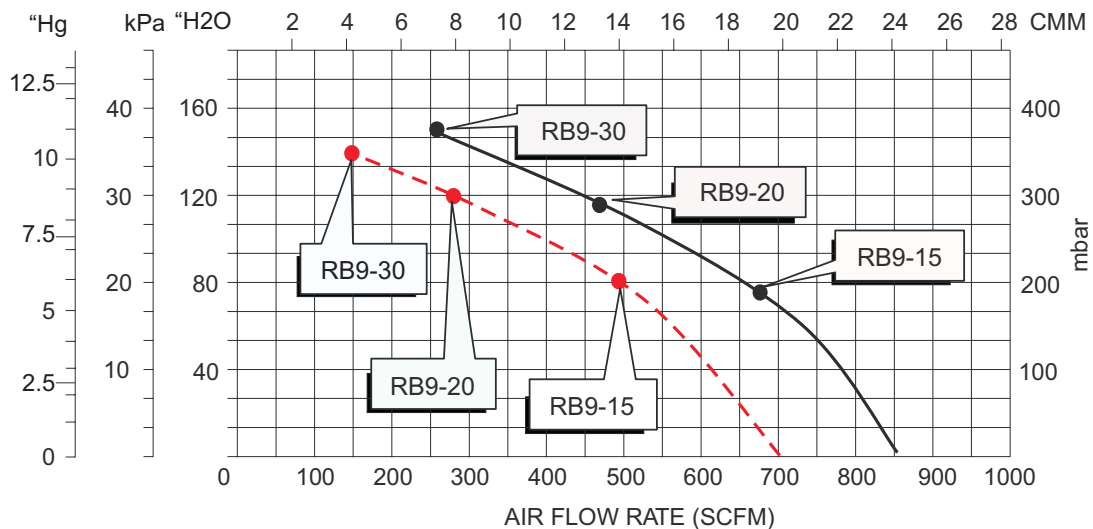
1.630.372.9222

ALL STAR™

Regenerative Blowers
Vacuum Pumps



VACUUM DATA CURVE

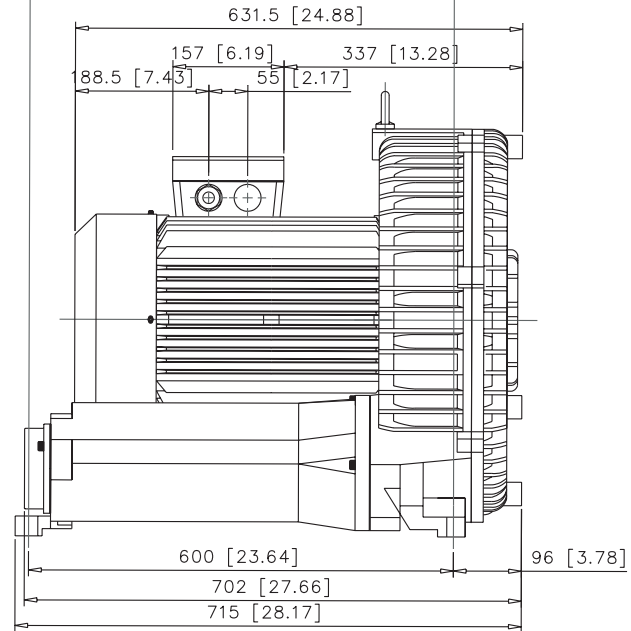
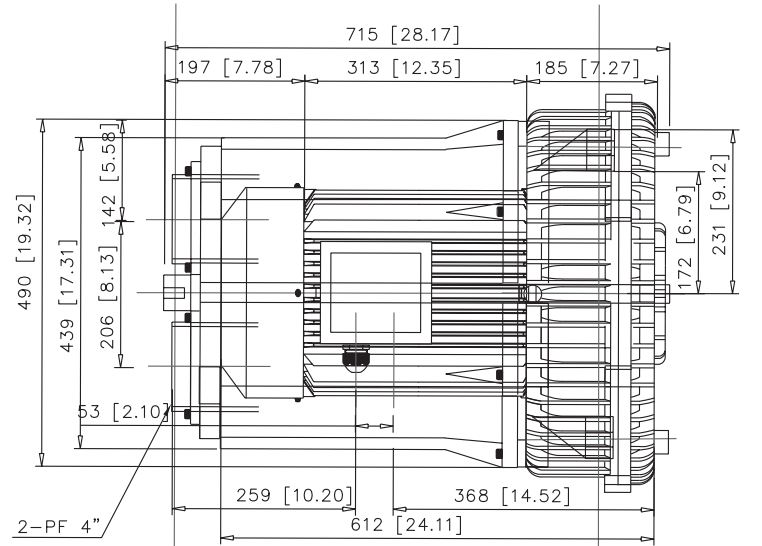
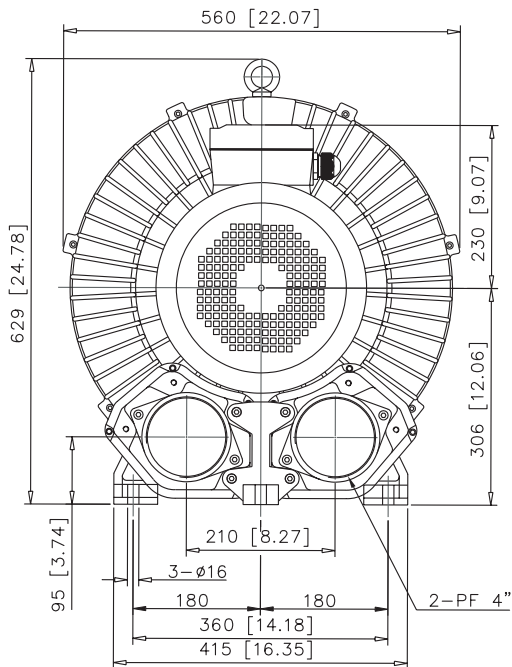
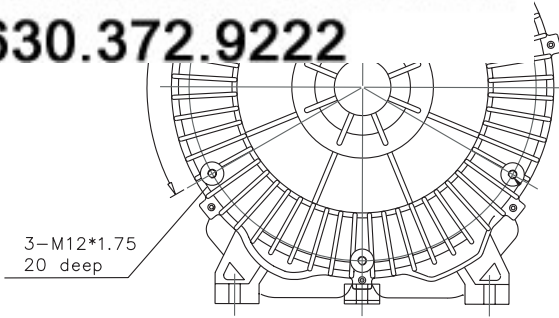


Air

Blower Services Inc.

www.airblowerservices.com

1.630.372.9222



ALL-STAR PRODUCTS INC
Cleveland Ohio Memphis Tennessee

REGENERATIVE BLOWER
Model RB9 Series

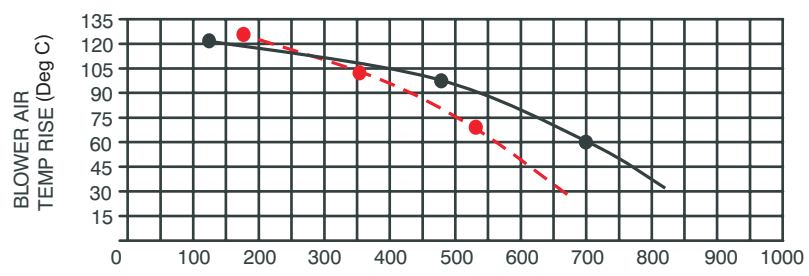
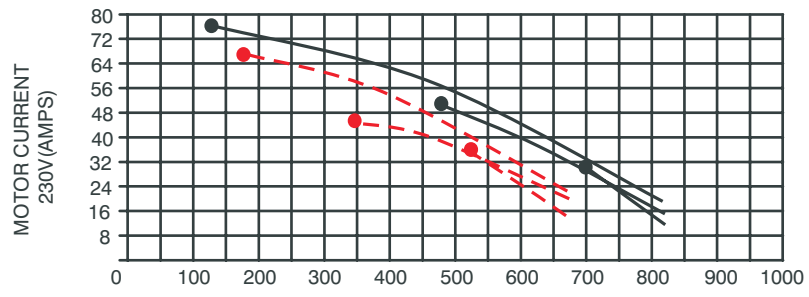
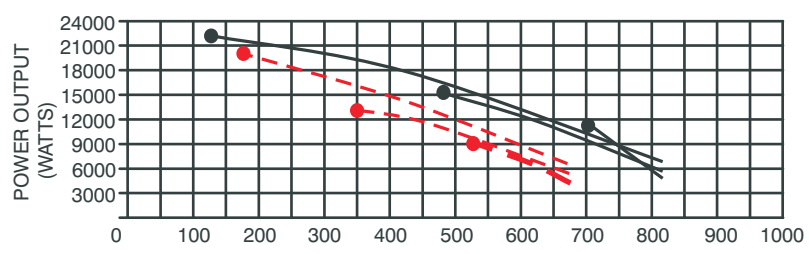
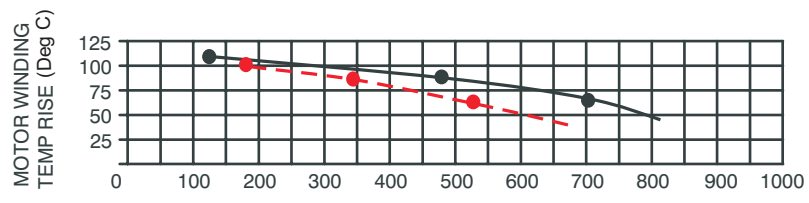
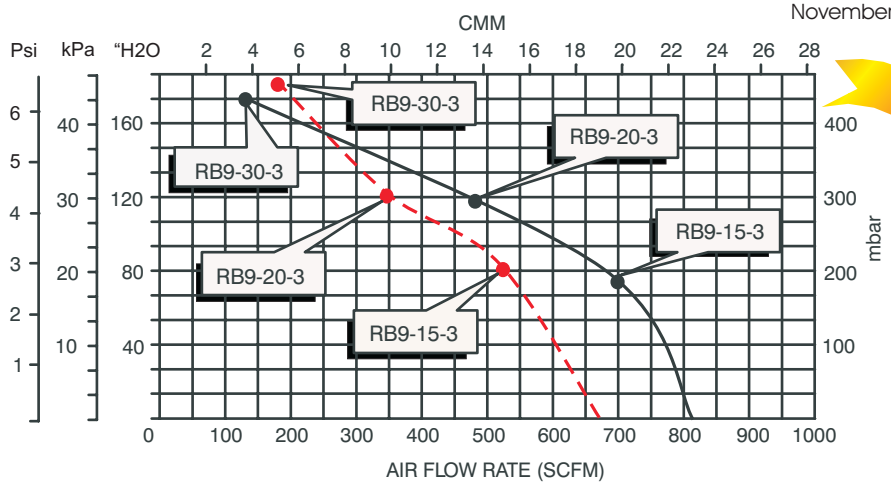
December 30, 2006

B9 Series - Pressure - Three Phase

60Hz

The technical data is based on 1 bar (abs.) free atmosphere and 20°C with Inlet air density 1.2kg/m³, ±10 %variance.

November 2006



B9 Series - Vacuum - Three Phase

60Hz

The technical data is based on 1 bar (abs.) free atmosphere and 20°C with Inlet air density 1.2kg/m³, ±10 %variance.

November 2006

