

www.airblowerservices.com

1.630.372.9222



| Model | ge | Hz | HP | kW | SCFM | Pressure | | Vacuum | | Noise Level | Net Weight | | |
|-------------|----|----|----|------|------|----------|------|--------|------|-------------|------------|-----|-----|
| | | | | | | mbar | "H2O | mbar | "H2O | | kg | lbs | |
| RB83-1105-3 | 3 | ▶ | 60 | 11.5 | 8.5 | 410 | 320 | 128 | 340 | 137 | 81 db(A) | 112 | 247 |
| | | | 50 | | 7.5 | 340 | 320 | 128 | 360 | 145 | 87 db(A) | 112 | 247 |
| RB83-1705-3 | 3 | ▶ | 60 | 17.5 | 13 | 410 | 598 | 240 | 456 | 183 | 81 db(A) | 143 | 314 |
| | | | 50 | | 11 | 340 | 598 | 240 | 423 | 170 | 87 db(A) | 143 | 314 |
| RB83-25-3 | 3 | ▶ | 60 | 25 | 19 | 410 | 790 | 317 | 650 | 261 | 81 db(A) | 160 | 353 |
| | | | 50 | | 16 | 340 | 700 | 281 | 450 | 181 | 87 db(A) | 160 | 353 |

*Refer to curves below for detailed performance data. Data subject to change without notice. Actual performance may vary by ±10%.

STANDARD FEATURES

- Housing - Aluminum
- Impeller - Aluminum, dynamically balanced
- Direct drive impeller
- Shock absorbing mounting base
- Quiet operation - below OSHA limits
- Inlet & outlet silencers included
- Motor shaft seal standard
- IP 54 TEFC 2 pole squirrel cage ac motor
- 40 Deg C ambient
- Class H insulation 1.15 service factor
- Performance tested ANSI/AMCA210-85
- Voltage Code
 - 1 = 1/60/50/115/230
 - 2 = 1/60/50/230
 - 3 = 3/60/208-230/460 3/50/220/380

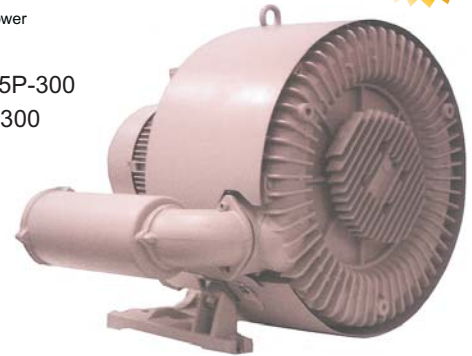
3/60/208-230/460 & 3/50/220/380

- RB83-1105-3 replaces HB-8310
- RB83-1705-3 replaces HB-8315
- RB83-25-3 replaces HB-8320

ACCESSORIES

Note: To obtain warranty coverage on the blower a relief valve and filter are required.

- Pressure Intake Air Filter F245P-300
- Vacuum Air Filter CSL-335P-300



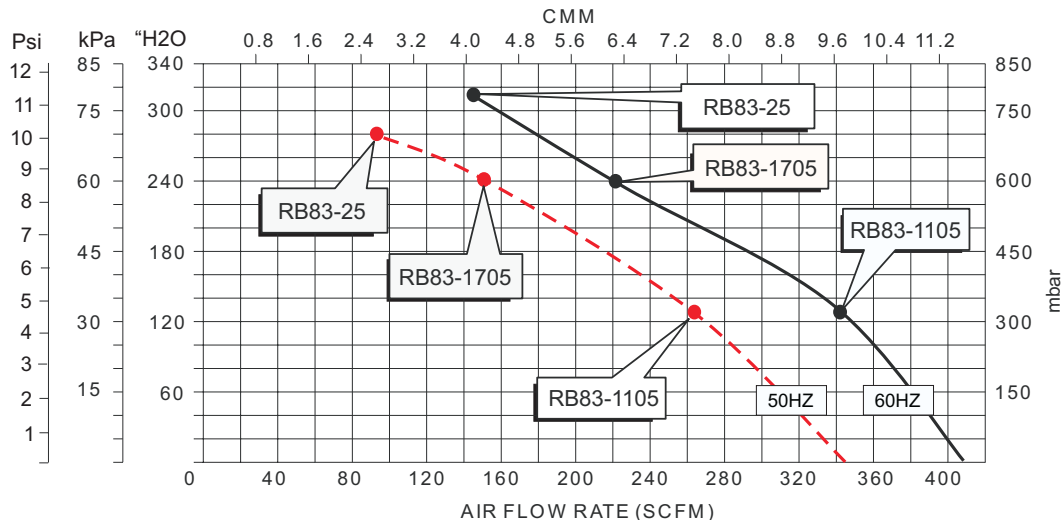
TECHNICAL DATA

- [Available online www.all-star-usa.com]
- Performance Temperature Rise Curves
- AutoCad files
- Parts List
- Full load amperage



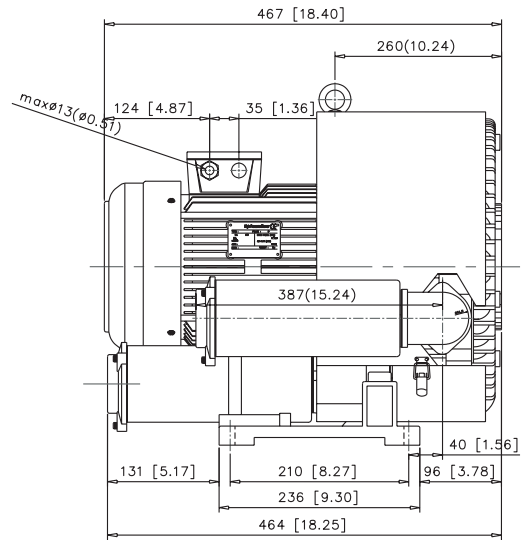
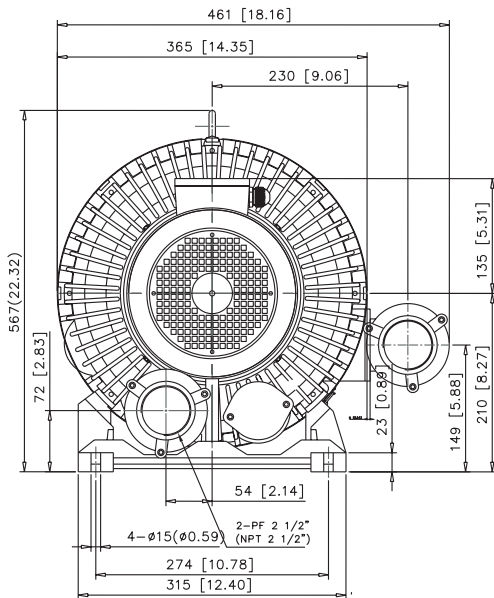
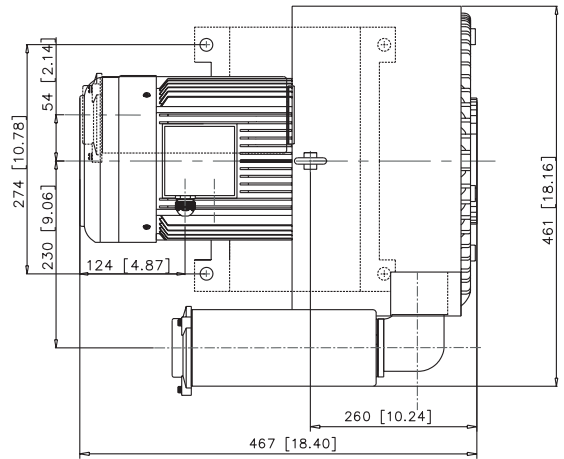
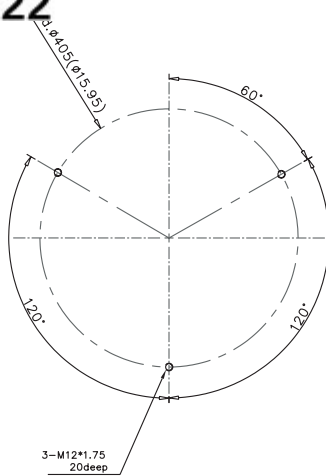
RoHS Compliant

PRESSURE DATA CURVES ±10%
[See reverse side for Vacuum Curves]

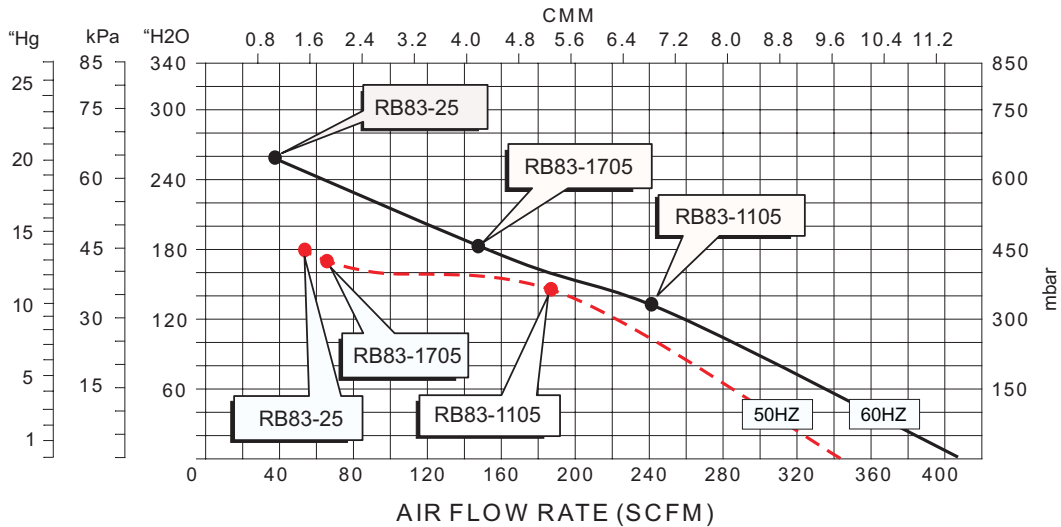


1.630.372.9222

ALL STAR™
Regenerative Blowers
Vacuum Pumps



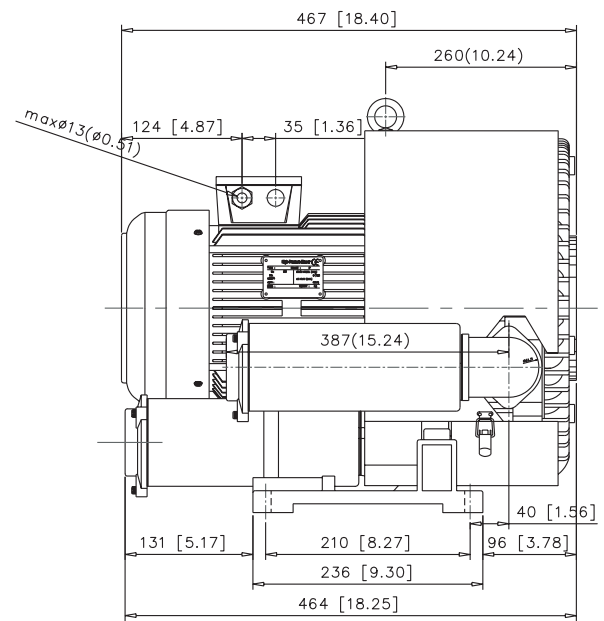
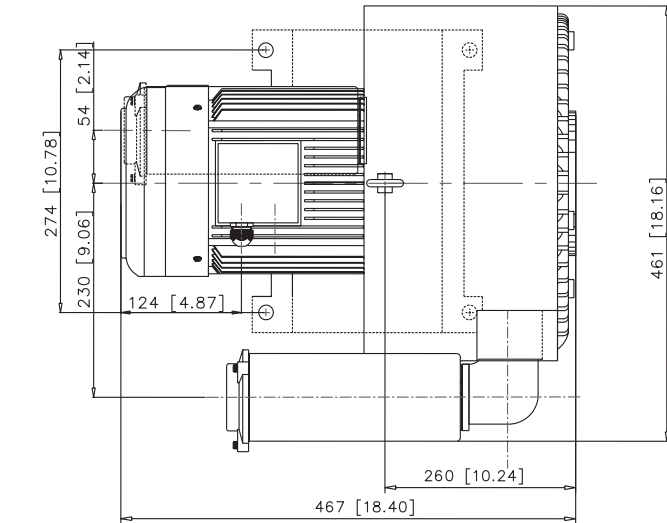
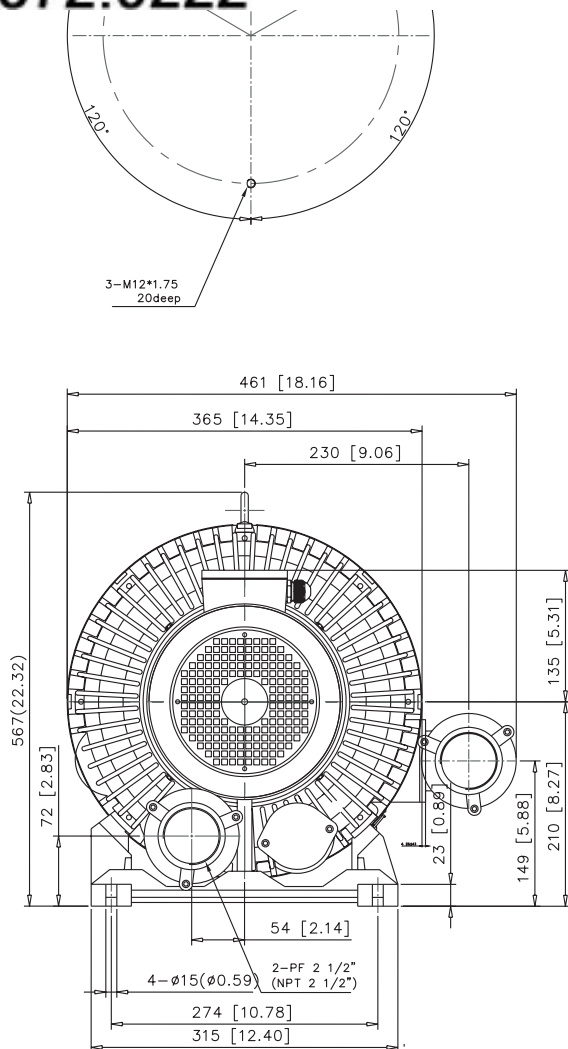
VACUUM DATA CURVES



Air

Blower Services Inc.

www.airblowerservices.com
1.630.372.9222



ALL-STAR PRODUCTS INC
Cleveland Ohio Memphis Tennessee

REGENERATIVE BLOWER
Model RB83 Series

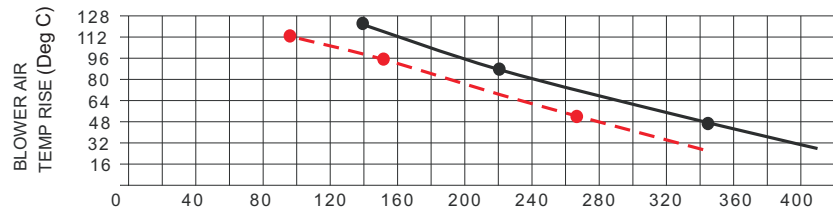
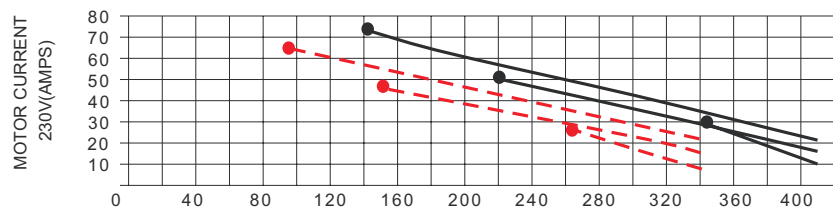
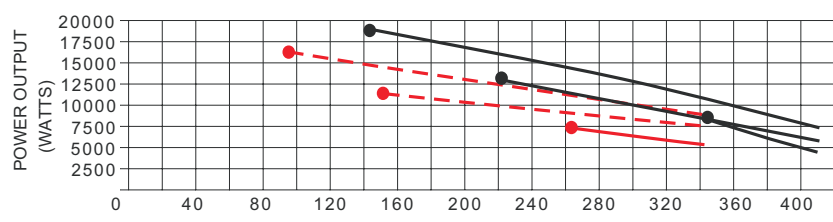
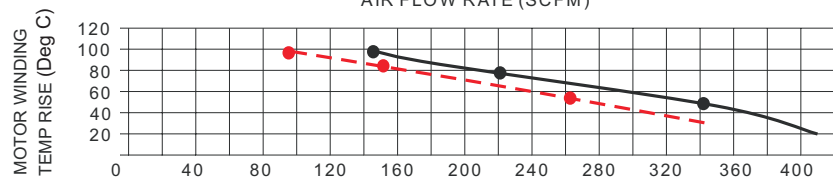
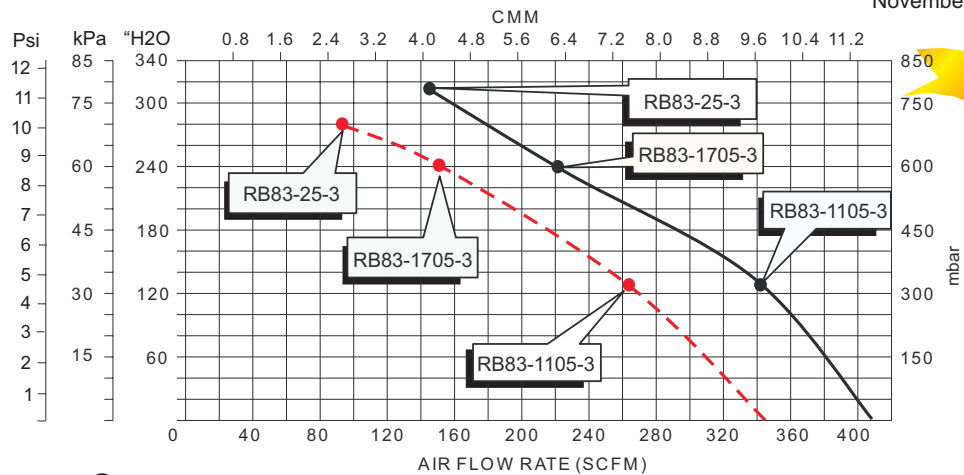
December 30, 2006

B83 Series - Pressure - Three Phase

60Hz

The technical data is based on 1 bar (abs.) free atmosphere and 20°C with Inlet air density 1.2kg/m³, ±10 %variance.

November 2006



The technical data is based on 1 bar (abs.) free atmosphere and 20°C with Inlet air density 1.2kg/m³, ±10 %variance.

November 2006

