

www.airblowerservices.com

1.630.372.9222



	ge	Hz	HP	kW	SCFM	Pressure mbar "H2O	Vacuum mbar "H2O	Noise Level	Net Weight kg lbs
RB63-601-3	3	60	6.1	4.6	230	380 153	380 153	79 db(A)	69 152
		50		4	190	380 153	360 145	75 db(A)	69 152
RB63-805-3	3	60	8.5	6.3	230	540 217	425 171	79 db(A)	72 159
		50		5.5	190	520 209	420 169	75 db(A)	72 159
RB63-1105-3	3	60	11.5	8.5	230	675 271	450 180	79 db(A)	75 165
		50		7.5	190	590 237	440 177	75 db(A)	75 165

\*Refer to curves below for detailed performance data. Data subject to change without notice. Actual performance may vary by ±10%.

### STANDARD FEATURES

- Housing - Aluminum
- Impeller - Aluminum, dynamically balanced
- Direct drive impeller
- Shock absorbing mounting base
- Quiet operation - below OSHA limits
- Inlet & outlet silencers included
- Motor shaft seal standard
- IP 54 TEFC 2 pole squirrel cage ac motor
- 40 Deg C ambient
- Class H insulation 1.15 service factor
- Performance tested ANSI/AMCA210-85
- Voltage Code
  - 1 = 1/60/50/115/230
  - 2 = 1/60/50/230
  - 3 = 3/60/208-230/460 3/50/220/380

**3/60/208-230/460 & 3/50/220/380**  
 RB63-601-3 replaces HB-6346  
 RB63-805-3 replaces HB-6355  
 RB63-1105-3 replaced HB-6375



### ACCESSORIES

Note: To obtain warranty coverage on the blower a relief valve and filter are required.

Pressure Relief Valve RV-02 for pressures of 110 to 236"H2O  
 Pressure Relief Valve RVA-02 for pressures of 110 to 236"H2O

Vacuum Relief Valve RV-02 for vacuums of 110 to 236"H2O  
 Vacuum Relief Valve RVA-02 for vacuums of 110 to 236"H2O

Pressure Intake Air Filter F231P-200  
 Vacuum Air Filter CSL-851-200HC

### TECHNICAL DATA

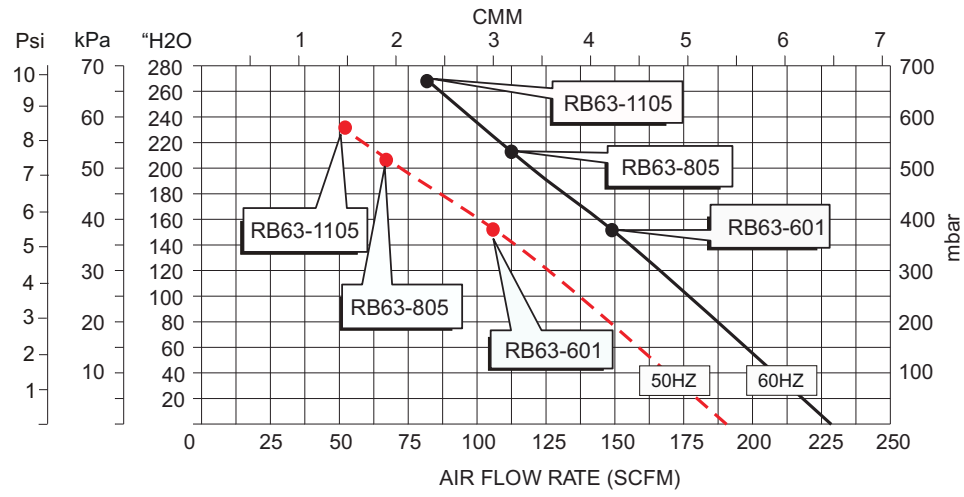
- [Available online www.all-star-usa.com]
- Performance Temperature Rise Curves
  - AutoCad files
  - Parts List
  - Full load amperage



RoHS Compliant

### PRESSURE DATA CURVES ±10%

[See reverse side for Vacuum Curves]

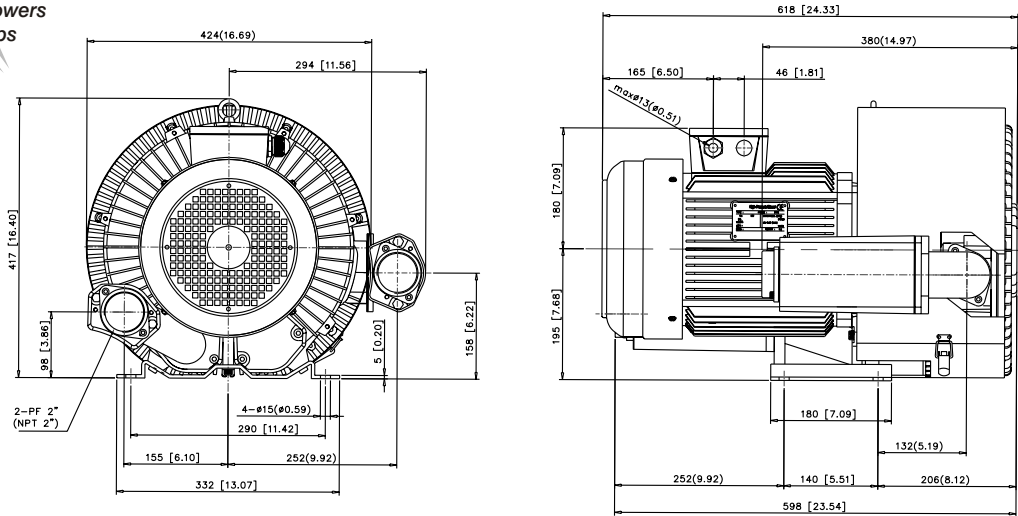


1.630.372.9222

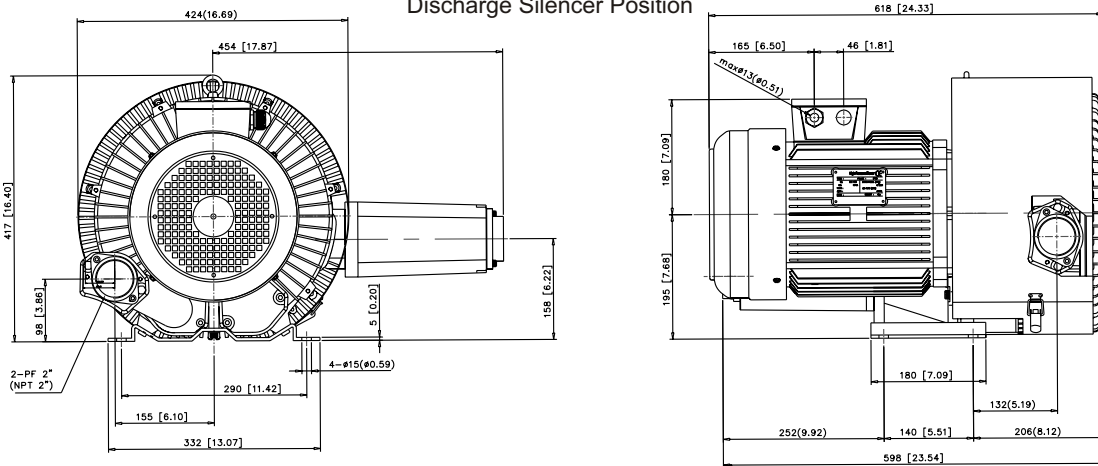
**ALL STAR™**

Regenerative Blowers  
Vacuum Pumps

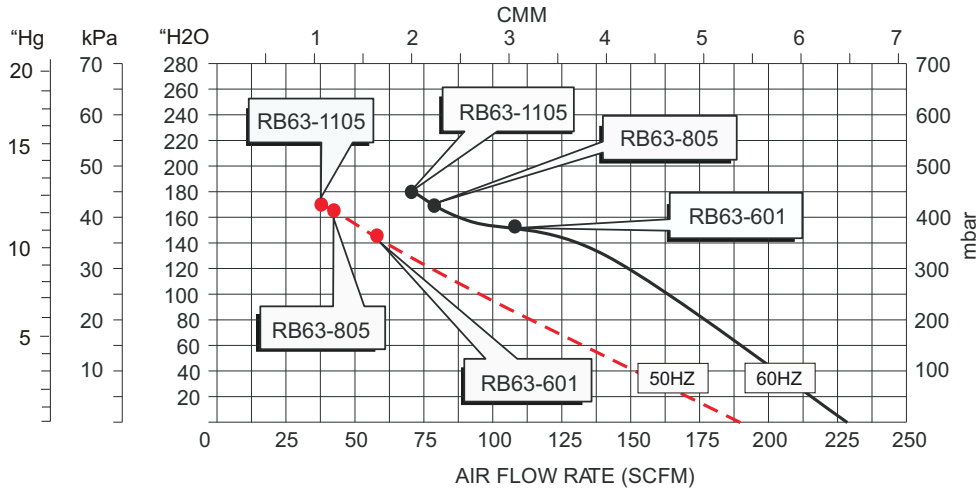
Assembly "A"  
Discharge Silencer Position



Assembly "B"  
Discharge Silencer Position



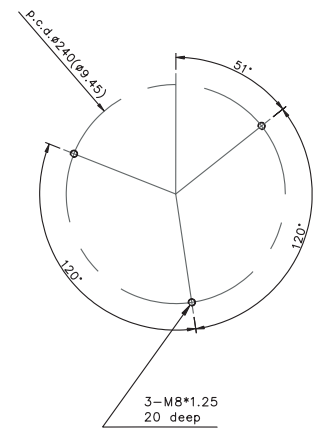
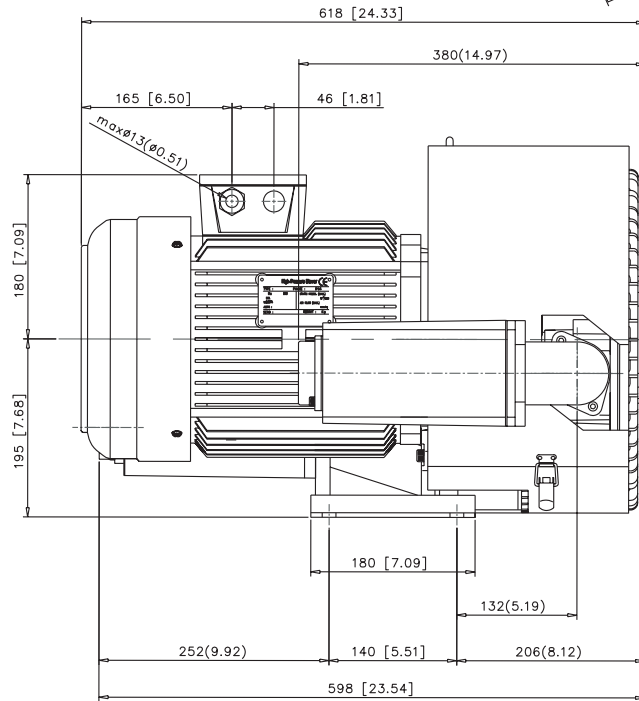
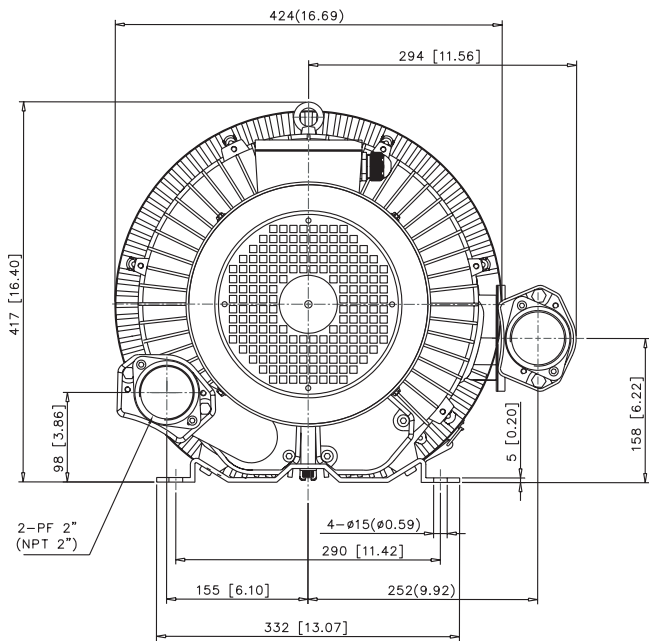
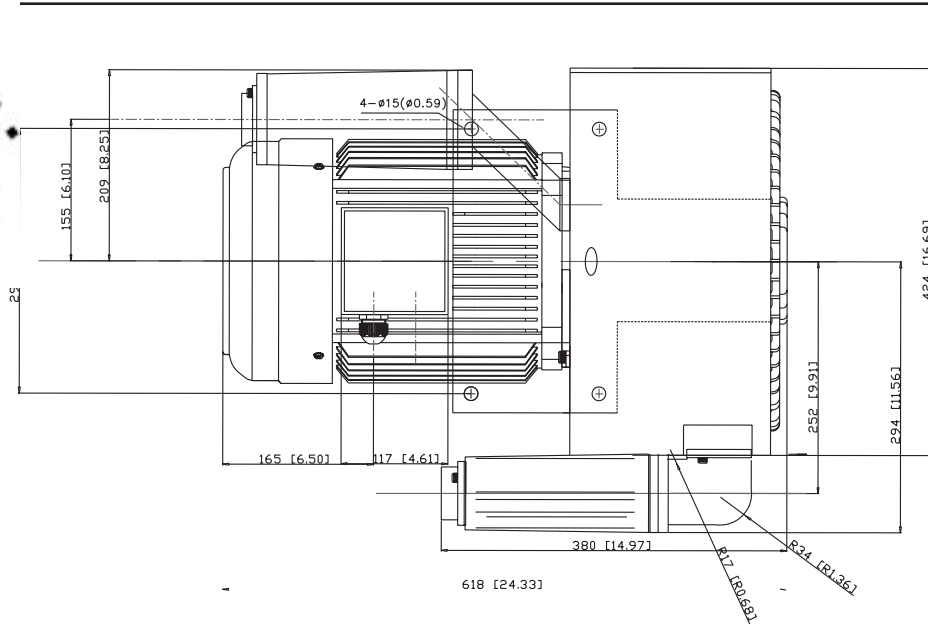
**VACUUM DATA CURVES**



Air

# Blower Services Inc.

www.airblowerservices.com  
1.630.372.9222



ALL-STAR PRODUCTS INC  
Cleveland Ohio Memphis Tennessee

Model RB63 Series, Assembly A  
Regenerative Blower/Vacuum Pump

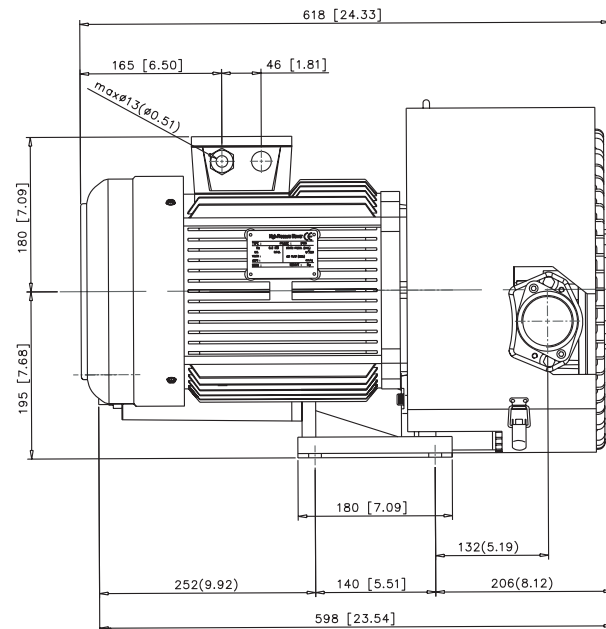
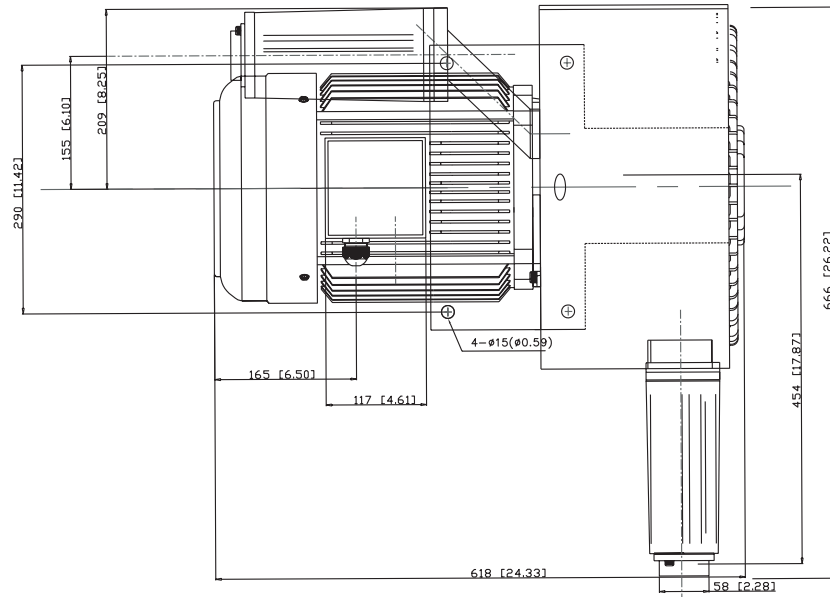
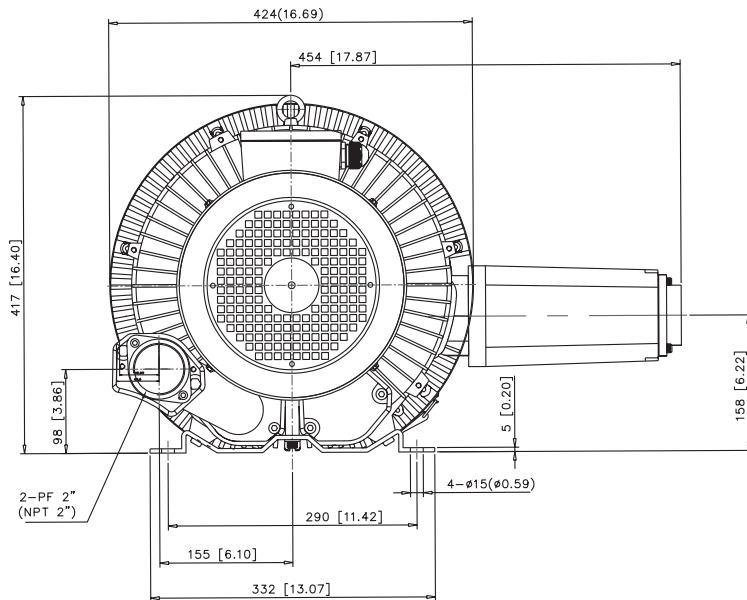
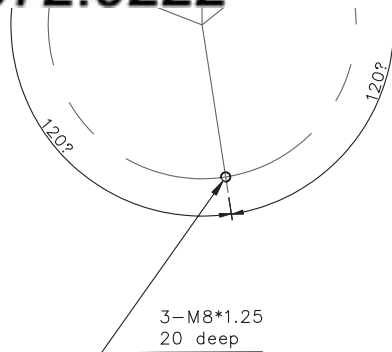
December 30, 2006

Air

# Blower Services Inc.

www.airblowerservices.com

1.630.372.9222



ALL-STAR PRODUCTS INC  
Cleveland Ohio Memphis Tennessee

Model RB63 Series, Assembly B  
Regenerative Blower/Vacuum Pump

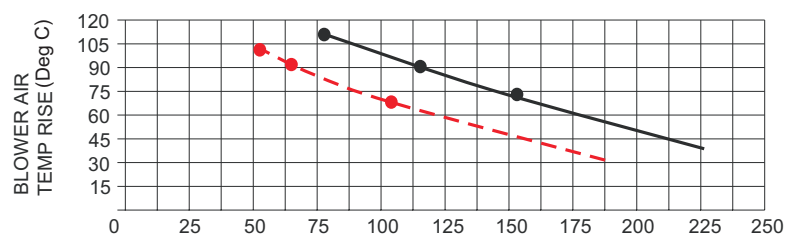
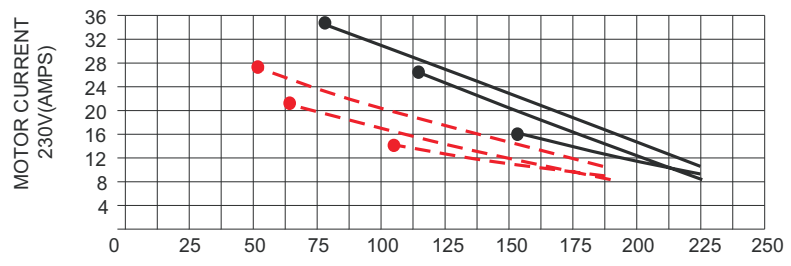
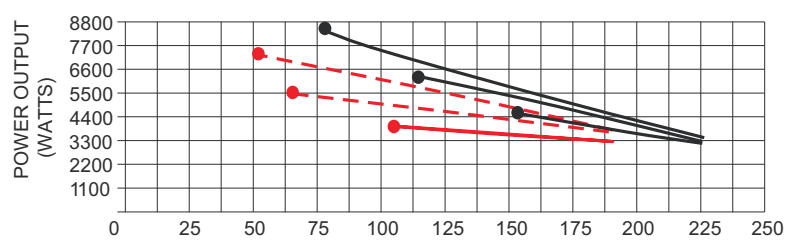
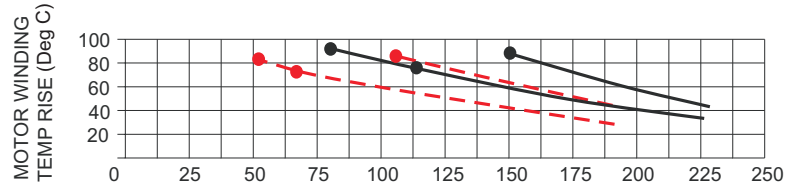
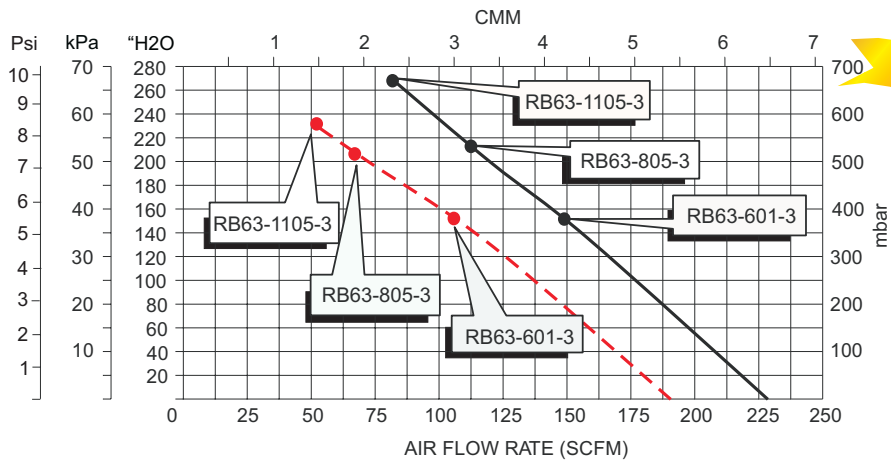
December 30, 2006

**B63 Series - Pressure - Three Phase**

60Hz

The technical data is based on 1 bar ( abs. ) free atmosphere and 20°C with Inlet air density 1.2kg/m<sup>3</sup>, ±10 %variance.

November 2006



**B63 Series - Vacuum - Three Phase**

60Hz

The technical data is based on 1 bar ( abs. ) free atmosphere and 20°C with Inlet air density 1.2kg/m<sup>3</sup>, ±10 %variance.

November 2006

