

www.airblowerservices.com

1.630.372.9222



	ge	Hz	HP	kW	SCFM	Pressure mbar	"H2O	Vacuum mbar	"H2O	Noise Level	Net Weight kg	lbs
RB43-305-2	2	▶ 60	3.5	2.6	165	386	155	386	155	77 db(A)	37	81
		50		2.2	135	360	148	348	140	74 db(A)	37	81
RB43-5-3	3	▶ 60	5	3.7	165	415	167	410	165	77 db(A)	39	86
		50		3.4	135	415	167	360	145	74 db(A)	39	86
RB43-601-3	3	▶ 60	6.1	4.6	165	490	197	420	168	77 db(A)	40	88
		50		4	135	485	195	335	135	74 db(A)	40	88

\*Refer to curves below for detailed performance data. Data subject to change without notice. Actual performance may vary by ±10%.

### STANDARD FEATURES

- Housing - Aluminum
- Impeller - Aluminum, dynamically balanced
- Direct drive impeller
- Shock absorbing mounting base
- Quiet operation - below OSHA limits
- Inlet & outlet silencers included
- Motor shaft seal standard
- IP 54 TEFC 2 pole squirrel cage ac motor
- 40 Deg C ambient
- Class H insulation 1.15 service factor
- Performance tested ANSI/AMCA210-85
- Voltage Code
  - 1 = 1/60/50/115/230
  - 2 = 1/60/50/230
  - 3 = 3/60/208-230/460 3/50/220/380

**3/60/208-230/460 & 3/50/220/380**

*RB43-5-3 replaces HB-4337*

*RB43-601-3 replaces HB-4346*

**1/60/230 & 1/50/220**

*RB43-305-2 replaces HB-4326-1*



### ACCESSORIES

Note: To obtain warranty coverage on the blower a relief valve and filter are required.

Pressure Relief Valve RV-02  
Pressure Relief Valve RVA-02

Vacuum Relief Valve RV-02  
Vacuum Relief Valve RVA-02

Pressure Intake Air Filter F30P-200  
Vacuum Air Filter CSL-851-200HC

### TECHNICAL DATA

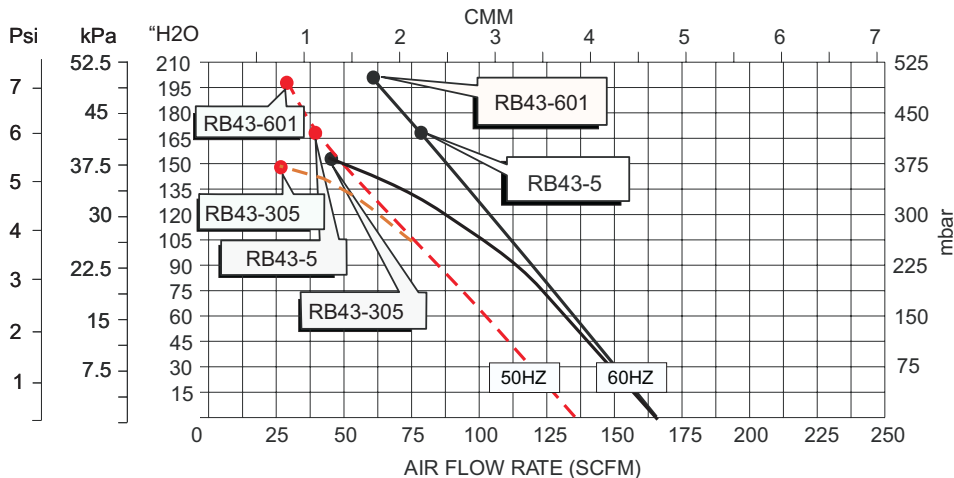
- [Available online [www.all-star-usa.com](http://www.all-star-usa.com)]
- Performance Temperature Rise Curves
- AutoCad files
- Parts List
- Full load amperage



RoHS Compliant

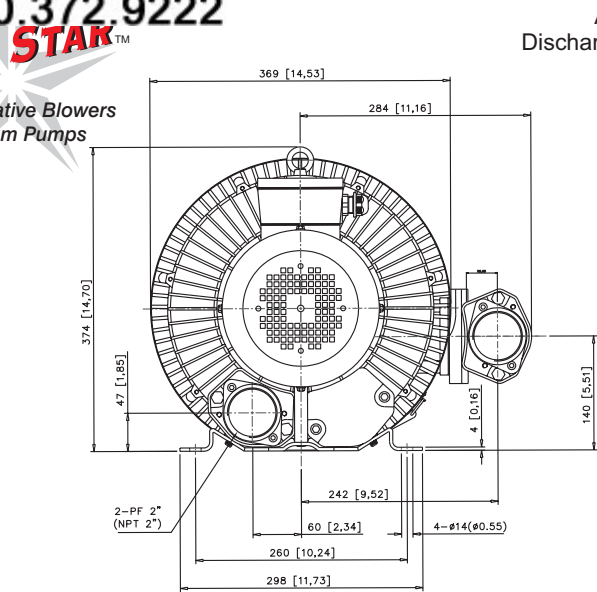
### PRESSURE DATA CURVES ± 10%

[See reverse side for Vacuum Curves]

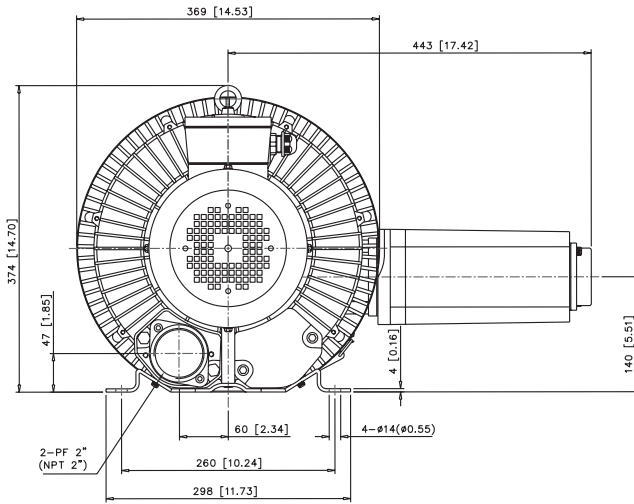
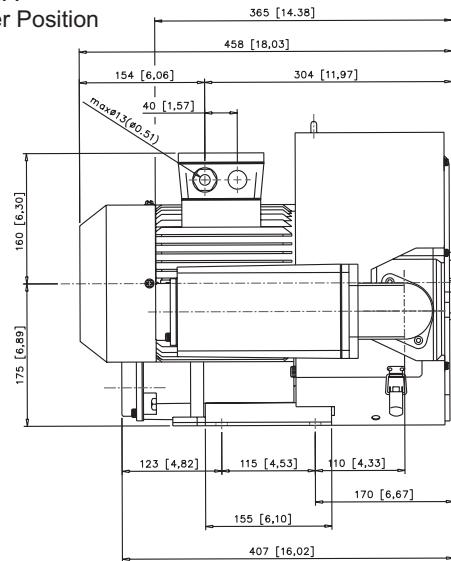


1.630.372.9222

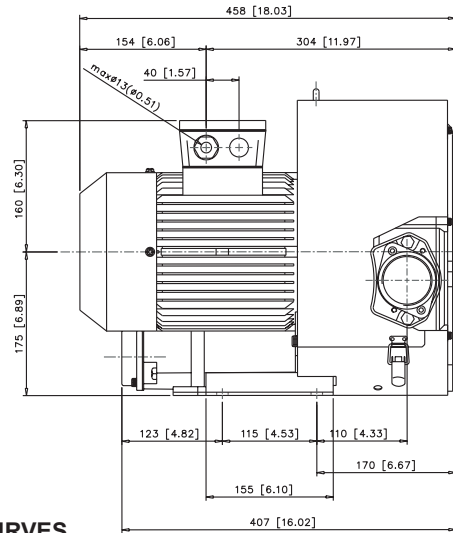
**ALL STAR™**  
Regenerative Blowers  
Vacuum Pumps



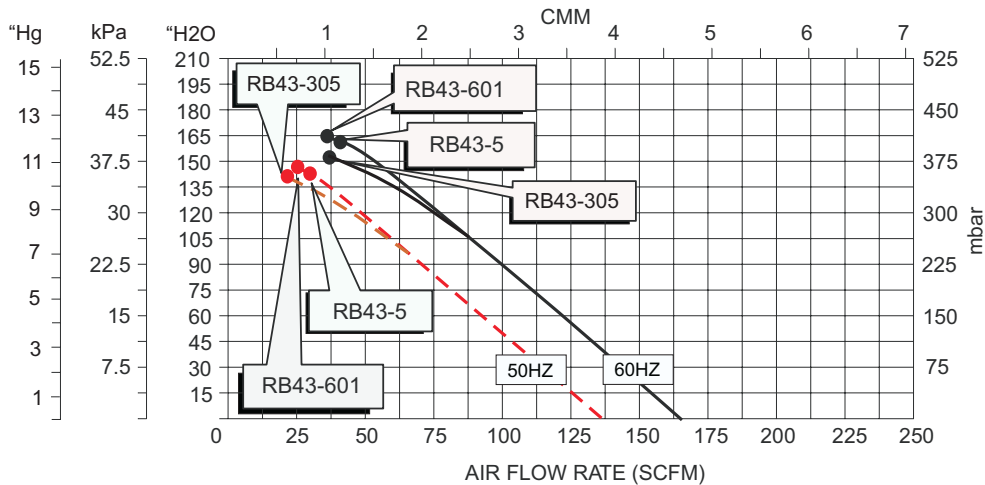
Assembly "A"  
Discharge Silencer Position



Assembly "B"  
Discharge Silencer Position



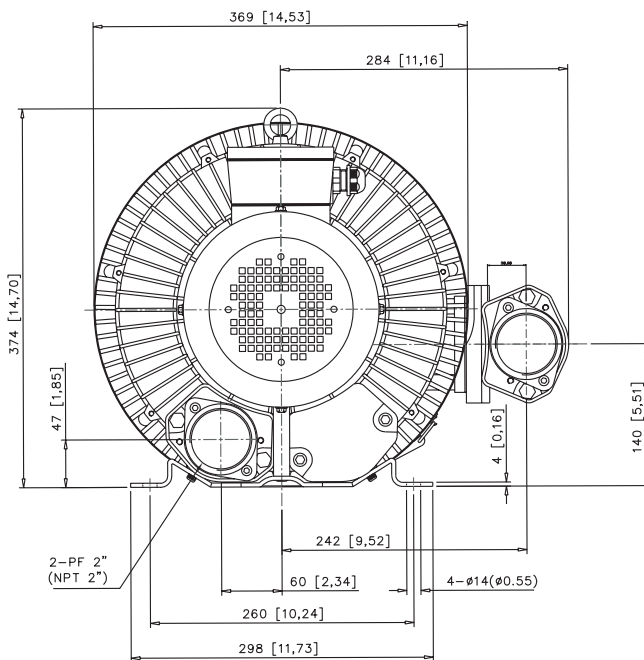
**VACUUM DATA CURVES**



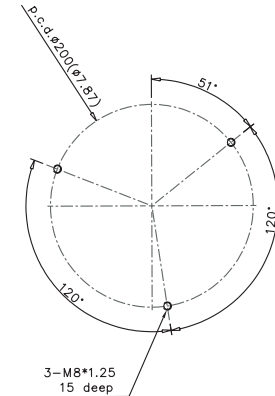
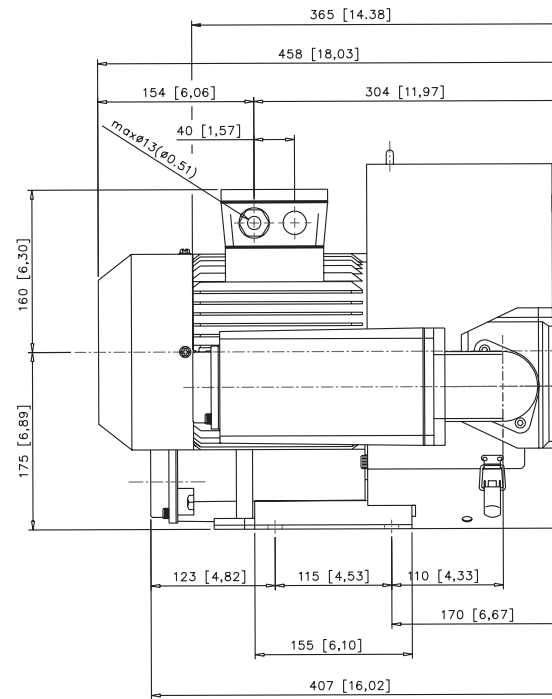
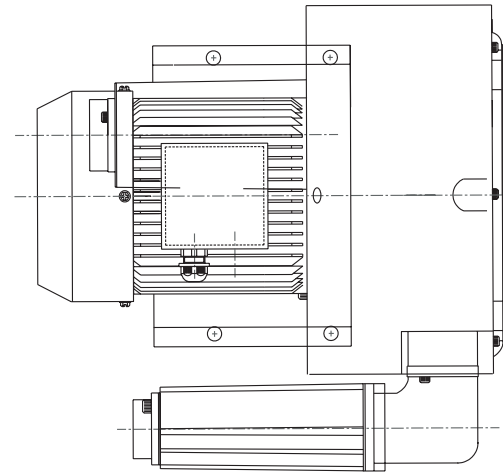
# Air

# Blower Services Inc.

www.airblowerservices.com  
1.630.372.9222



Note:  
mm/inches  
Subject to change without notice.



ALL-STAR PRODUCTS INC  
Cleveland Ohio Memphis Tennessee

Model RB43 Series, Assembly A  
Regenerative Blower/Vacuum Pump

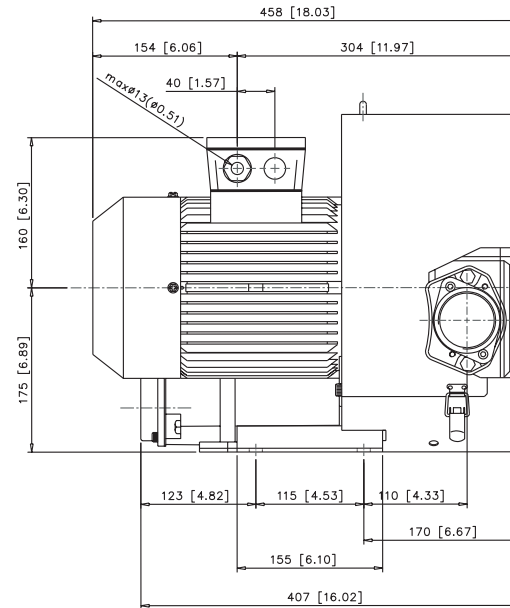
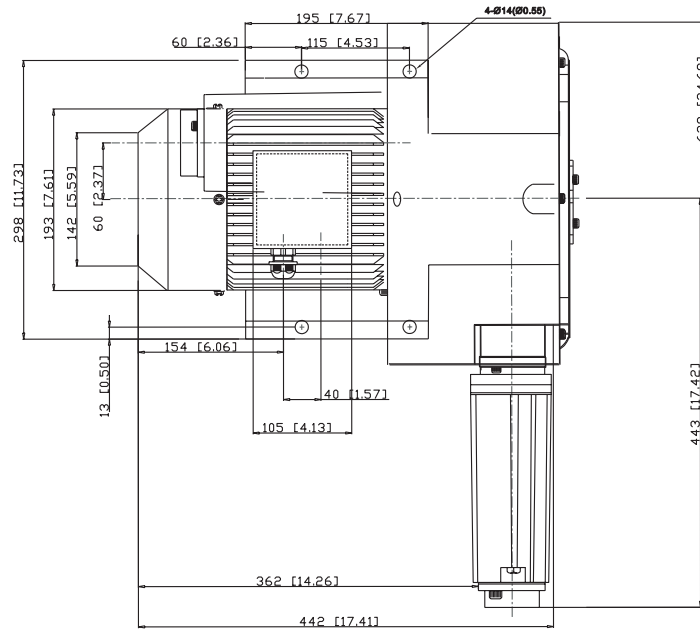
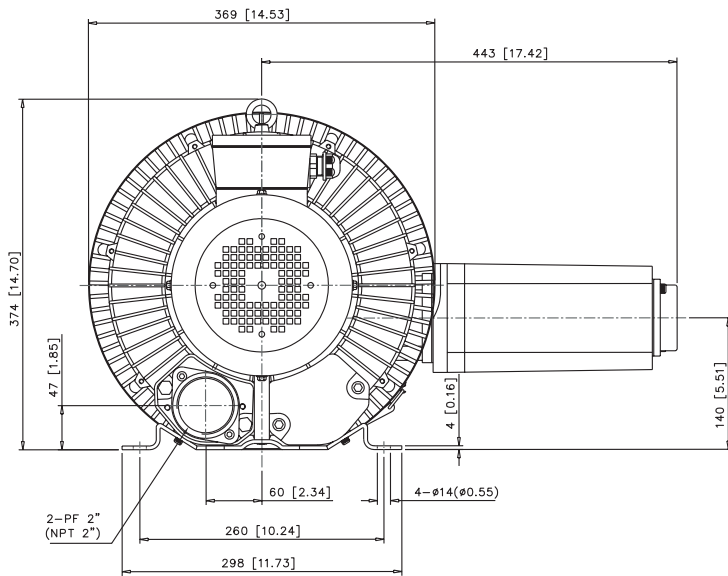
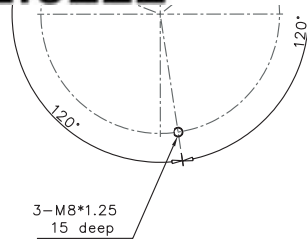
December 30, 2006

Air

# Blower Services Inc.

www.airblowerservices.com

1.630.372.9222



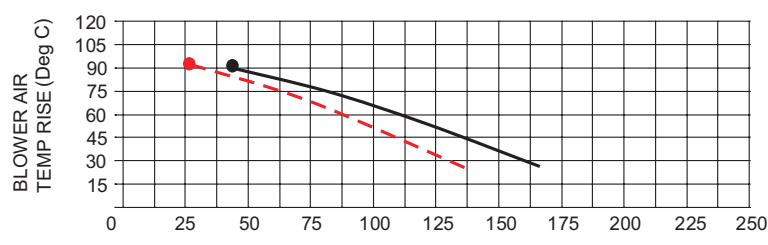
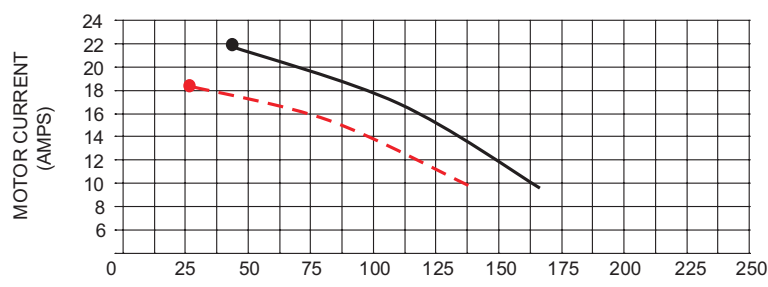
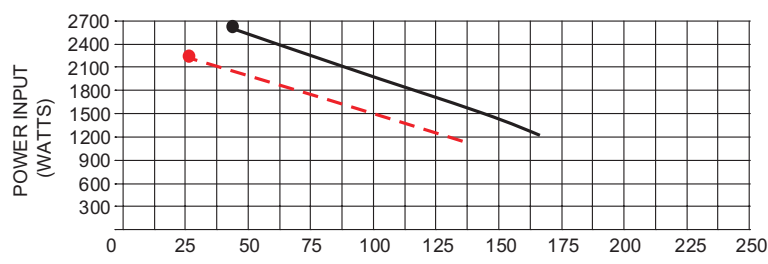
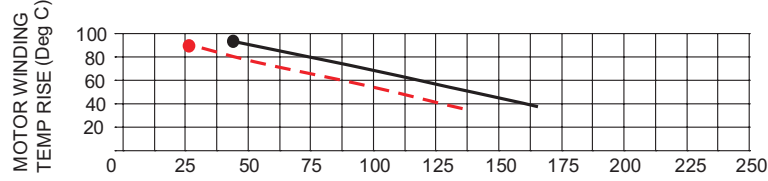
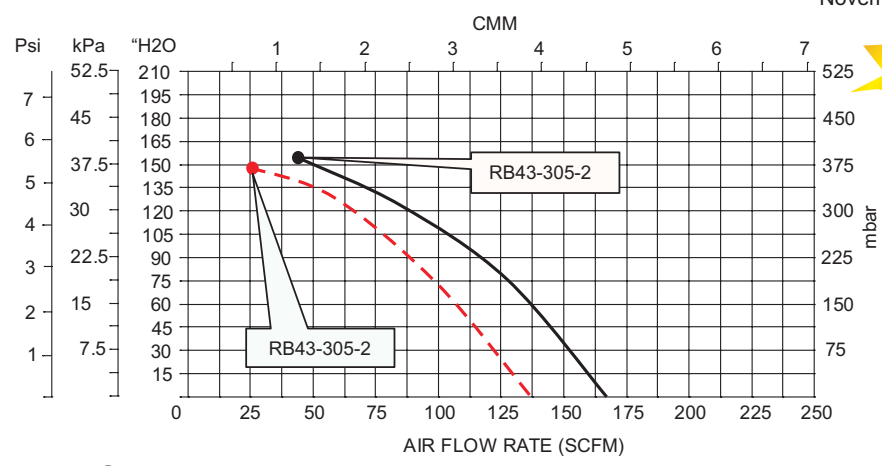
ALL-STAR PRODUCTS INC  
Cleveland Ohio Memphis Tennessee

Model RB43 Series, Assembly B  
Regenerative Blower/Vacuum Pump

December 30, 2006

The technical data is based on 1 bar ( abs. ) free atmosphere and 20°C with Inlet air density 1.2kg/m<sup>3</sup>, ±10 %variance.

November 2006

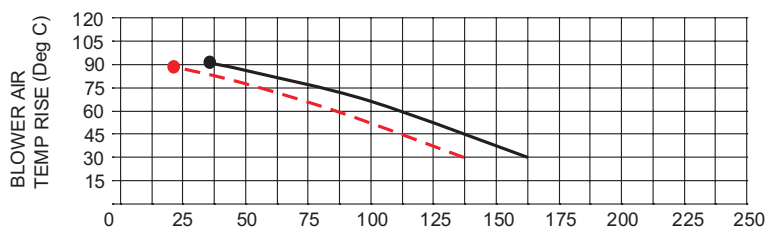
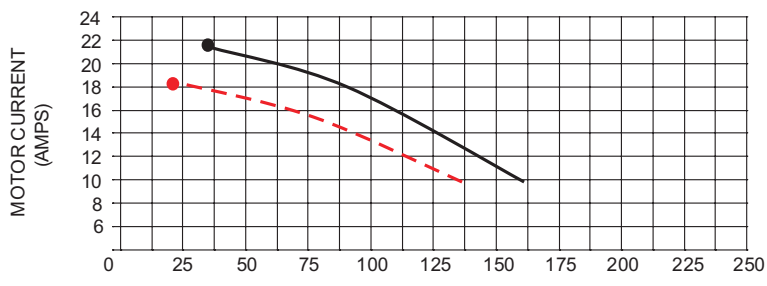
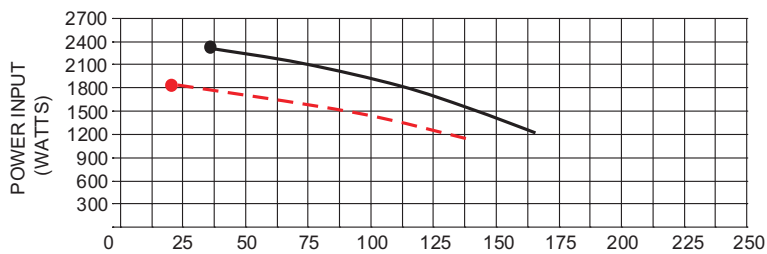
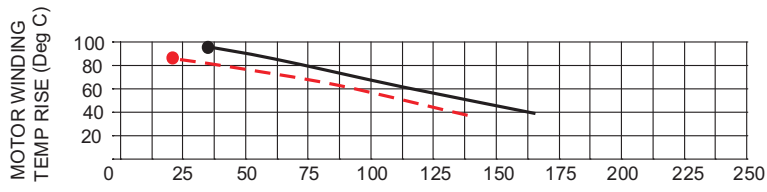
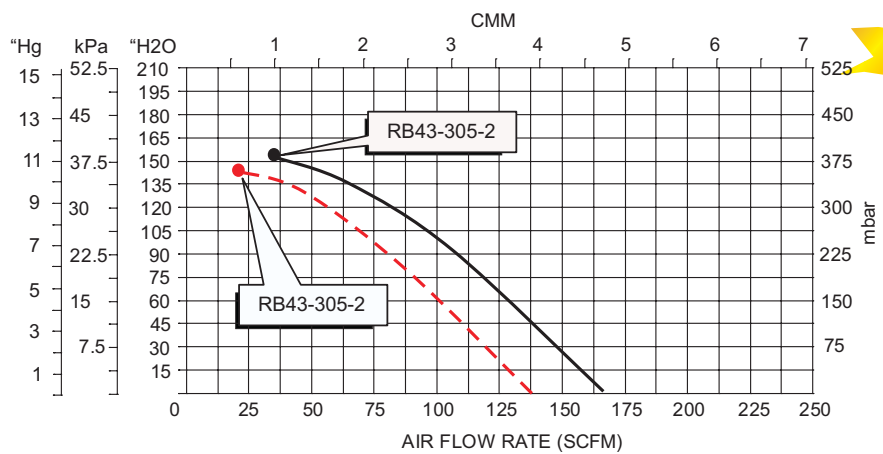


## B43 Series - Vacuum - Single Phase

60Hz

The technical data is based on 1 bar ( abs. ) free atmosphere and 20°C with Inlet air density 1.2kg/m<sup>3</sup>, ±10 %variance.

November 2006



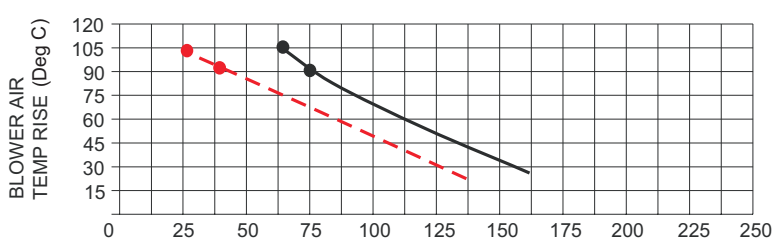
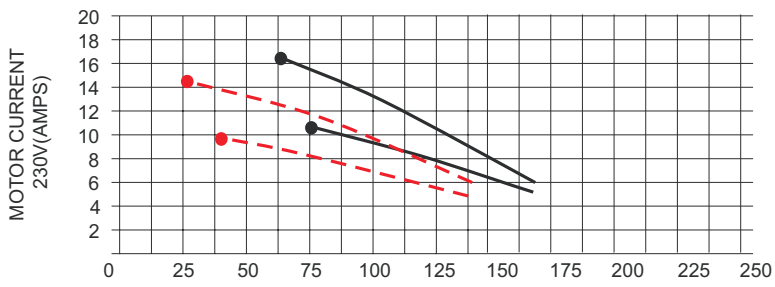
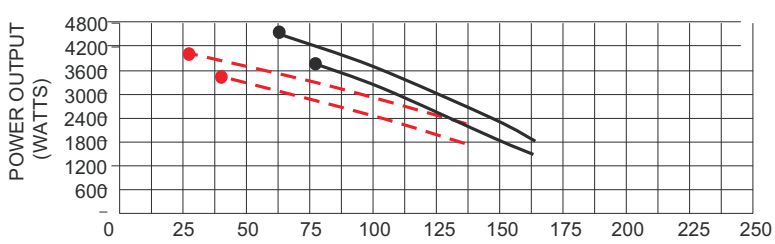
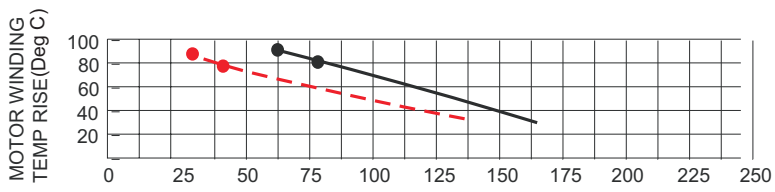
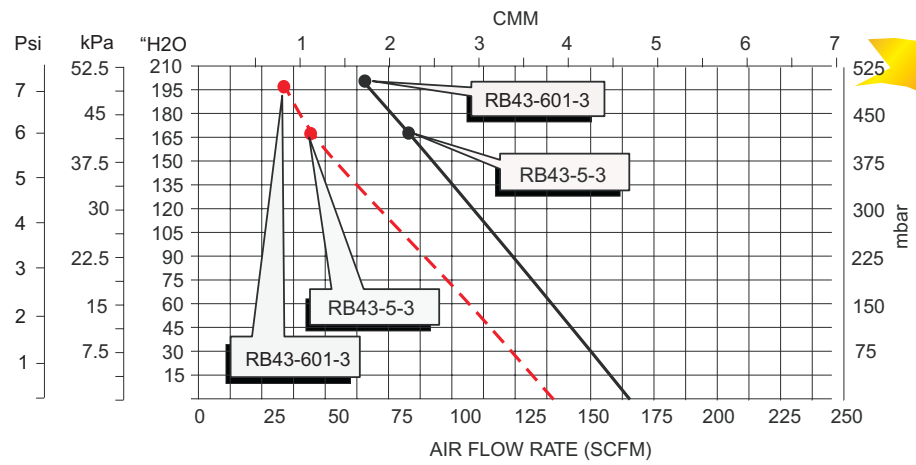


**B43 Series - Pressure - Three Phase**

60Hz

The technical data is based on 1 bar ( abs. ) free atmosphere and 20°C with Inlet air density 1.2kg/m<sup>3</sup>, ±10 %variance.

November 2006



## B43 Series - Vacuum - Three Phase

60Hz

The technical data is based on 1 bar ( abs. ) free atmosphere and 20°C with Inlet air density 1.2kg/m<sup>3</sup>, ±10 %variance.

November 2006

