

www.airblowerservices.com

1.630.372.9222

ALL STAR™

Regenerative Blowers
Vacuum Pumps

	je	Hz	HP	kW	SCFM	Pressure mbar	"H2O	Vacuum mbar	"H2O	Noise Level	Net Weight kg	lbs
RB1-025-1	1	60	.25	.2	38	70	28	70	28	55 dbA	6.5	15
RB1-025-3	3	50	.18	.20	30	60	24	50	20	53 dbA	6.5	15
RB1-033-1	1	60	.33	.25	38	80	32	75	30	55 dbA	6.5	15
RB1-033-3	3	50	.20	.20	30	70	28	70	28	53 dbA	6.5	15

*Refer to curves below for detailed performance data. Data subject to change without notice. Actual performance may vary by ±10%.

STANDARD FEATURES

- Housing - Aluminum
- Impeller - Aluminum, dynamically balanced
- Direct drive impeller
- Shock absorbing mounting base
- Quiet operation - below OSHA limits
- Inlet & outlet silencers included
- Motor shaft seal standard
- IP 54 TEFC 2 pole squirrel cage ac motor
- 40 Deg C ambient
- Class H insulation 1.15 service factor
- Performance tested ANSI/AMCA210-85
- Voltage
 - 1 = 1/60/115/230 & 1/50/220
 - 2 = 1/60/50/230
 - 3 = 3/60/208-230/460 3/50/220/380

3/60/208-230/460 & 3/50/220/380

RB1-025-3 replaces HB-129
RB1-033-3 replaces HB-139 & HB-129A

1/60/115/230 & 1/50/220

RB1-025-1 replaces HB-129-1
RB1-033-1 replaces HB-139-1 & HB-129-12

REQUIRED ACCESSORIES

NOTE: To obtain warranty coverage on the blower, a pressure relief valve and filter are required.

Pressure Relief Valve RV-01
Pressure Relief Valve RVA-01

Vacuum Relief Valve RV-01
Vacuum Relief Valve RVA-01

Pressure Intake Air Filter F19P-125
Vacuum Air Filter CSL-843-125HC



TECHNICAL DATA

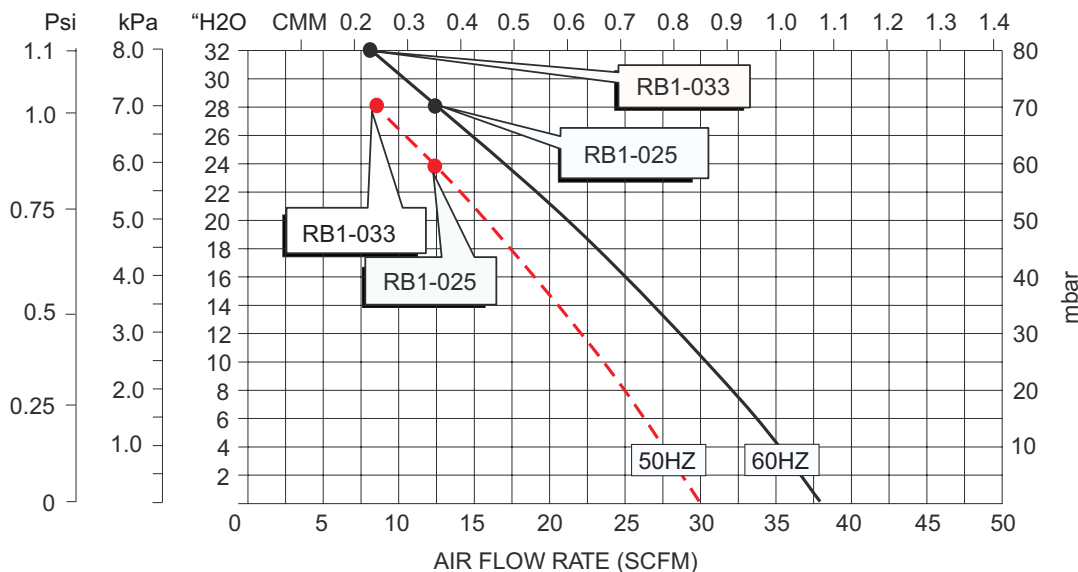
[Available online www.all-star-usa.com]

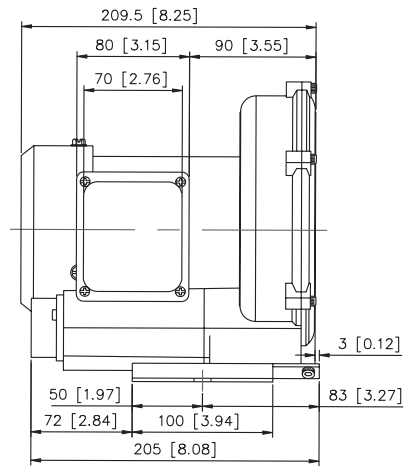
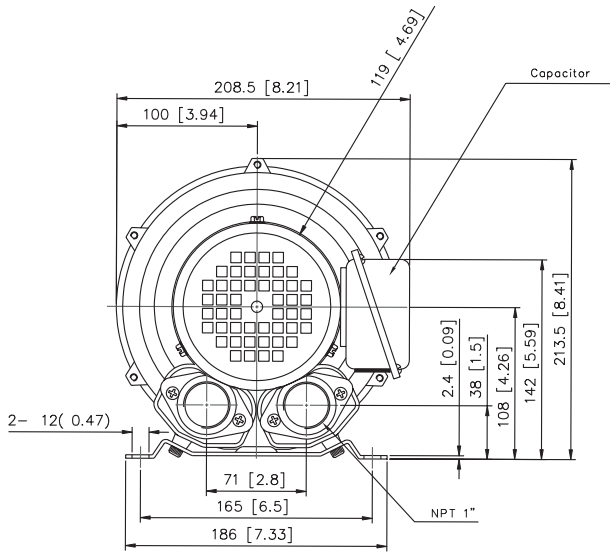
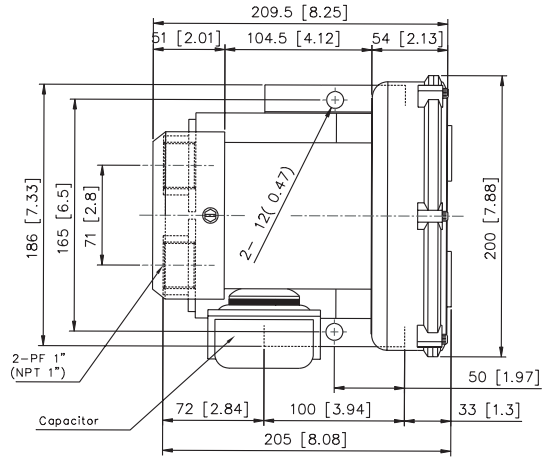
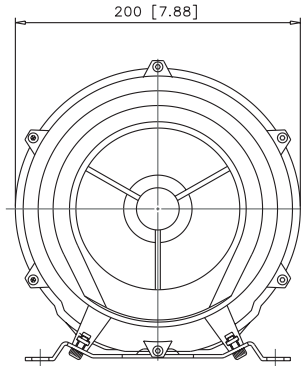
- Performance Temperature Rise Curves
- AutoCad files
- Parts List
- Full Load amperage



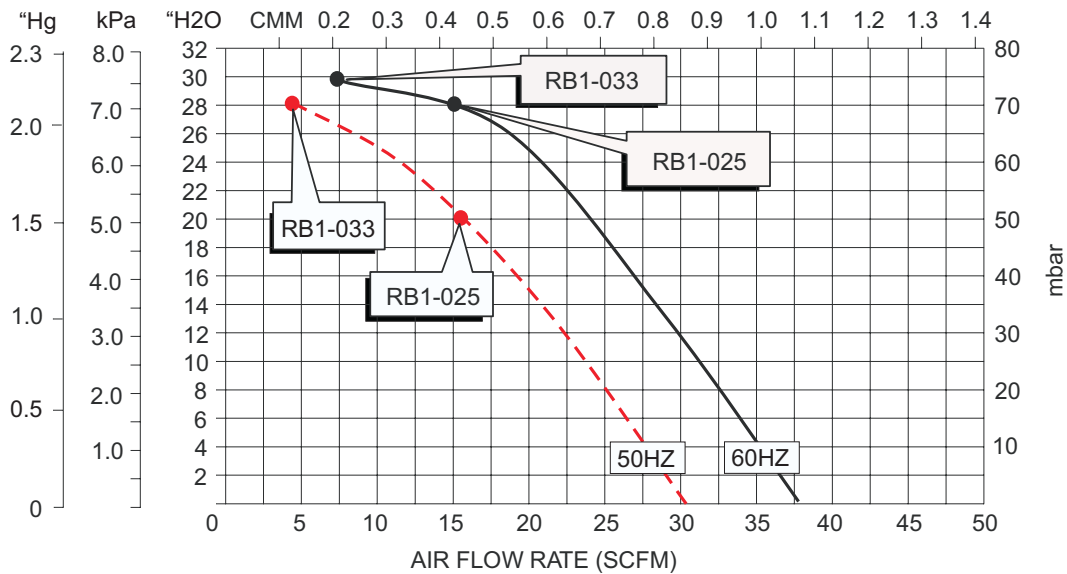
RoHS
Compliant

PRESSURE DATA CURVES ±10%
[See reverse side for Vacuum Curves]





VACUUM DATA CURVES ± 10%

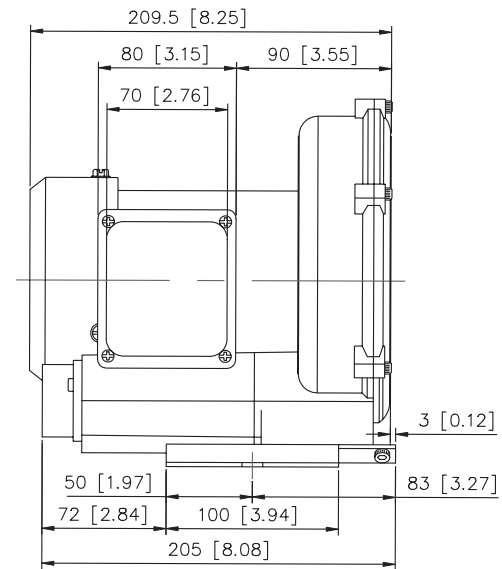
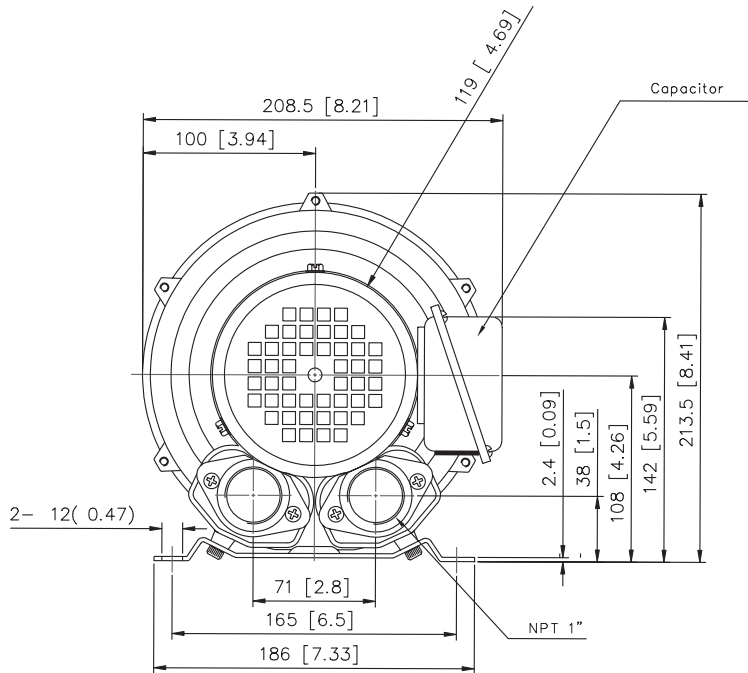
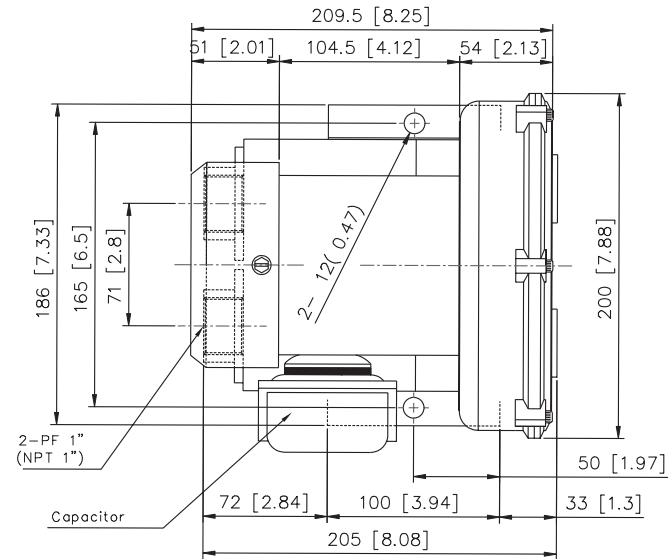


Air

Blower Services Inc.

www.airblowerservices.com

1.630.372.9222



ALL-STAR PRODUCTS INC
Cleveland Ohio Memphis Tennessee

REGENERATIVE BLOWER
Model RB1 Series

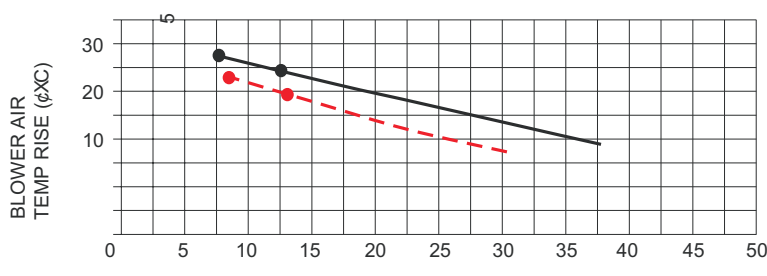
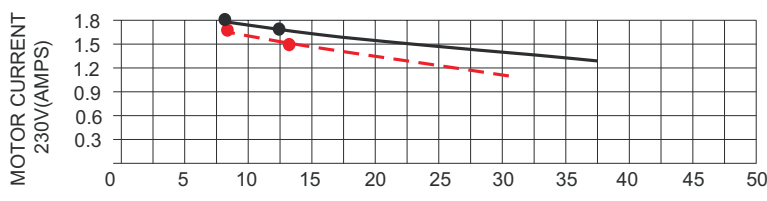
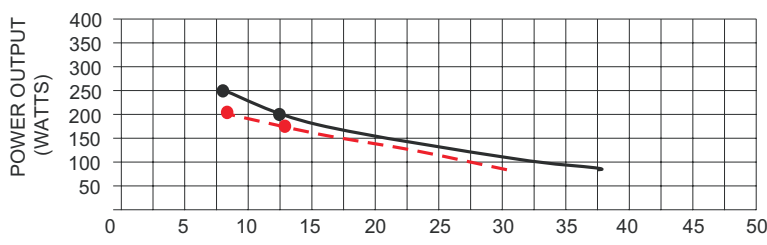
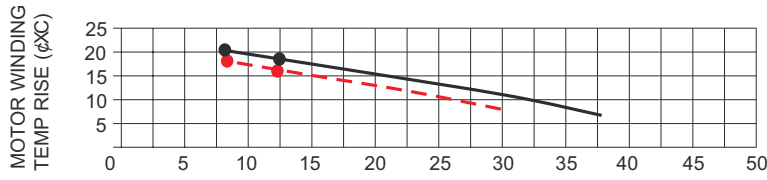
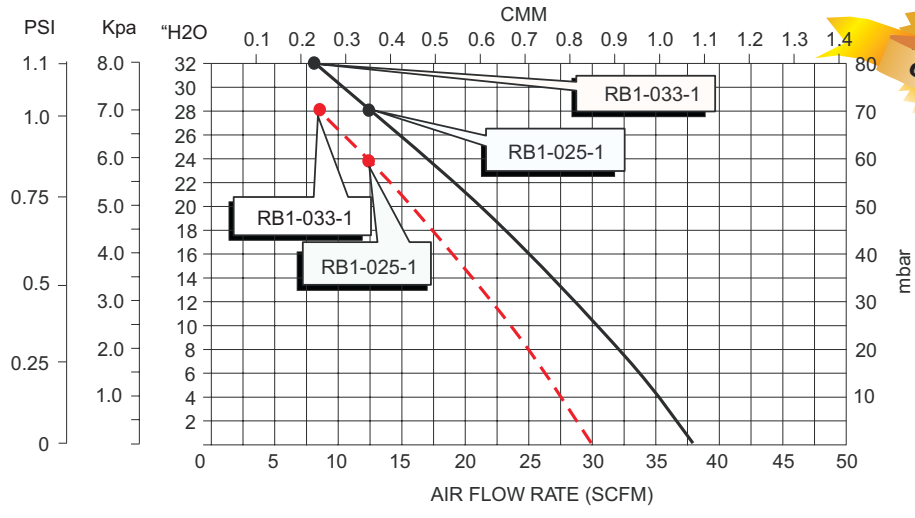
December 30, 2006

B1 Series - Pressure - Single Phase

60Hz

The technical data is based on 1 bar (abs.) free atmosphere and 20°C with Inlet air density 1.2kg/m³, ±10 %variance.

November 2006

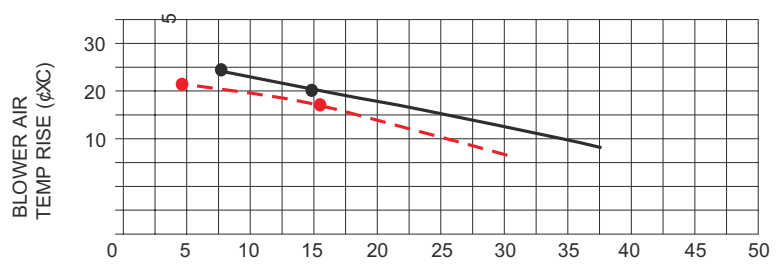
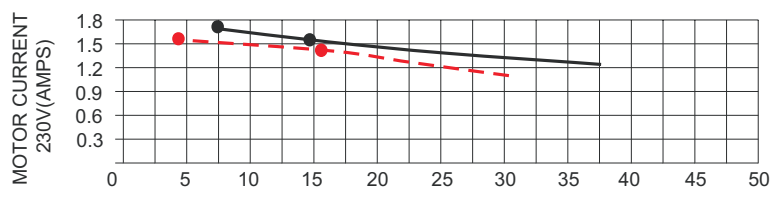
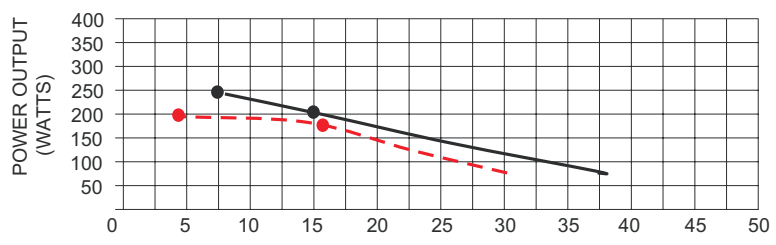
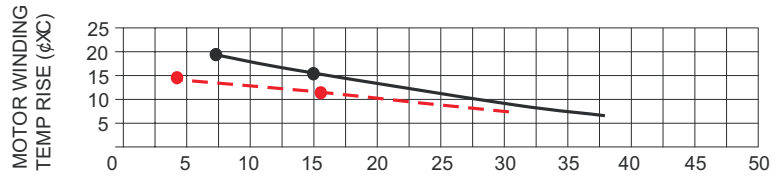
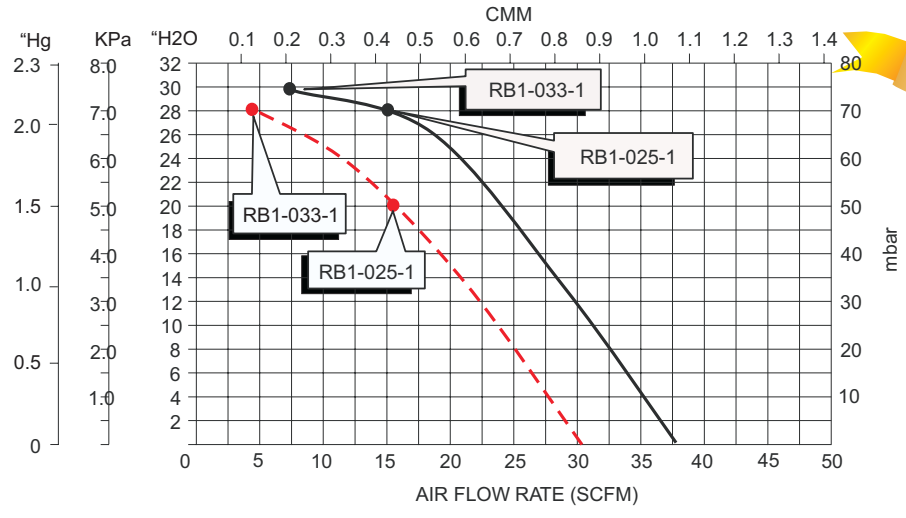


RB1 Series Vacuum Curve Single Phase

60Hz

The technical data is based on 1 bar (abs.) free atmosphere and 20°C with Inlet air density 1.2kg/m³, includes ±10% variance.

November 2006

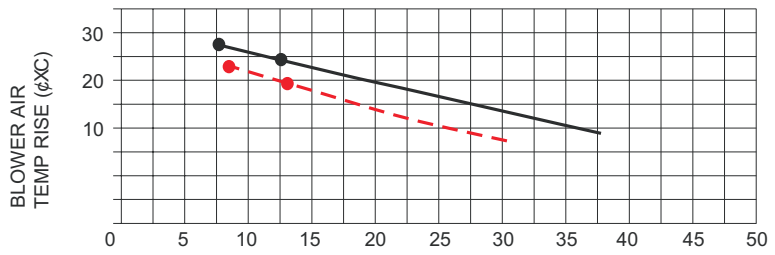
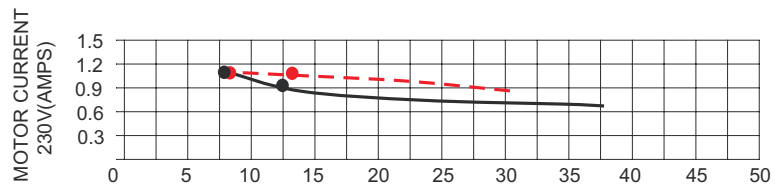
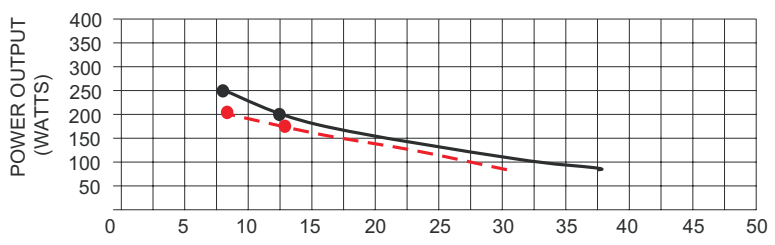
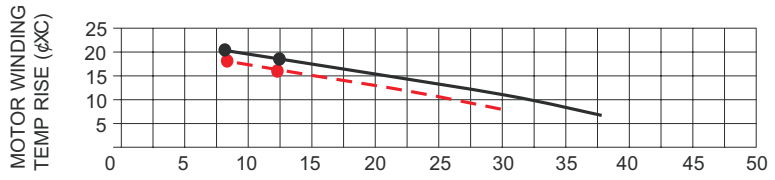
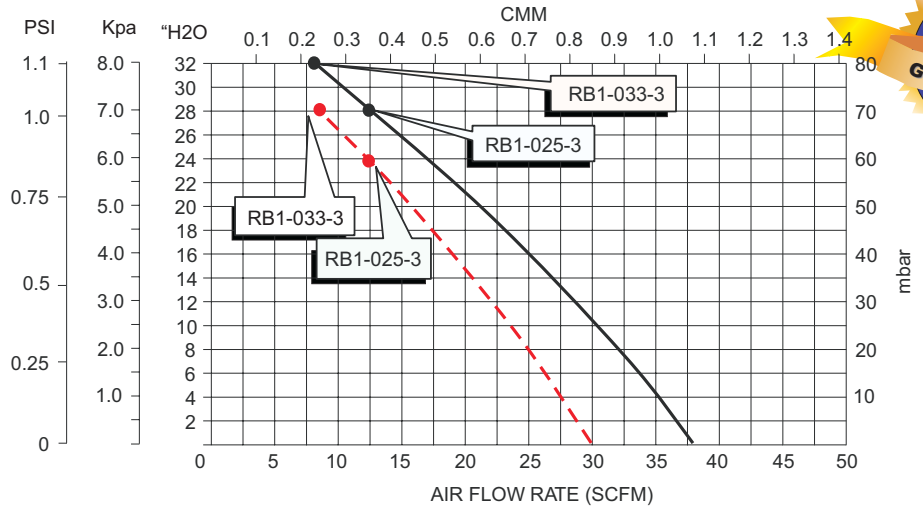


B1 Series - Pressure - Three Phase

60Hz

The technical data is based on 1 bar (abs.) free atmosphere and 20°C with Inlet air density 1.2kg/m³, ±10 %variance.

November 2006



Series - Vacuum Curve - Three Phase

60Hz

The technical data is based on 1 bar (abs.) free atmosphere and 20°C with Inlet air density 1.2kg/m³, includes ±10% variance.

November 2006

