



Rotary Positive Displacement Blowers

- High Pressure, Low Noise Industrial Blowers
- Bi-Directional Rotation / Horizontal and Vertical Airflow
- High Efficiency at high pressure and vacuum
- 18 psi or 17" hg dry vacuum
- Flow to 915 cfm at 5 psi
- Speed to 4000 rpm

The QX is one of the industry's quietest blowers.

Helical Gearing

QX blowers utilize precision helical gears, keyed to the rotor shafts. Helical gears are quieter reducing mechanical noise.

Bearings

All QX blowers include double ball bearings on the timing gear end. For additional strength single roller bearings are used on the drive shaft end of the machine.

Featuring the largest bearings available, QX blowers have L10 bearing life of up to 200,000 hours.

Rotors

QX blowers are available in two-lobe or tri-lobe variations. The tri-lobe variation offers reduced pulsation and lower noise levels. The two-lobe variation is ideal for processes with heavy contamination. For vibration free operation all rotors are dynamically balanced. Shafts are integral to the rotors, which prevents loosening over time.

QX blowers are fitted as standard with piston ring labyrinth process/oil seals. Piston ring seals provide high efficiency, long life and reliability.

The oil chamber is vented to atmosphere providing oil-free air.

Lubrication

QX blowers have oil lubrication on both ends with easy to see sight glasses allowing quick maintenance.

Individually Tested

Every QX blower is factory tested to assure you of the highest quality.

ISO 9001 Registration

QX blowers are manufactured under the Tuthill Vacuum & Blower Systems ISO 9001 registered quality assurance program. We go the distance to insure that your blower meets our rigid quality standards.

Warranty

Every QX blower is backed by the Tuthill Vacuum & Blower Systems limited warranty for a period of 24 months after installation or 30 months after original blower shipment, whichever occurs first.

Worldwide Sales and Service

With sales offices and service facilities located on six continents, you can be assured of availability and service for your QX blowers.

Material Specifications:

Housing:	Cast iron
End Plates:	Cast iron
End Cover:	Cast iron
Rotors:	Ductile iron
Shafts:	Ductile iron, cast integrally with rotors
Bearings:	GE - Double row ball FE - Single Row Cylindrical
Gears:	Heat treated alloy steel, helical cut
Seals:	Piston Ring Labyrinth

Optional materials and coatings are available upon request.



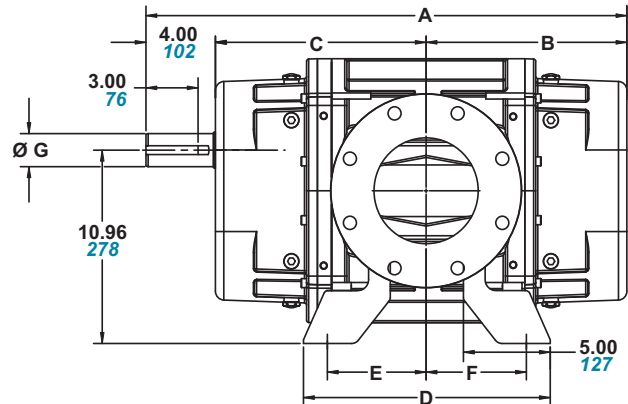
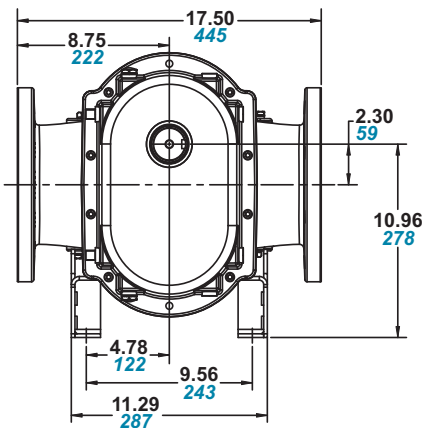


BLOWER MODEL	SPEED (RPM)	8 PSIG		10 PSIG		12 PSIG		15 PSIG		18 PSIG		10 in Hg		12 in Hg		14 in Hg		16 in Hg	
		CFM	BHP	CFM	BHP	CFM	BHP	CFM	BHP	CFM	BHP	CFM	BHP	CFM	BHP	CFM	BHP	CFM	BHP
4606	1150	118	6.7	111	8.1	106	9.6	98	11.8			120	4.4	112	5.1	103	5.8	182	10
	1750	206	10.2	200	12.4	194	14.7	187	18.0			208	6.6	200	7.7	192	8.9	360	20.5
	2950	383	17.3	377	21.1	372	24.9	364	30.6	357	36.3	385	11.2	378	13.1	369	14.9	456	32.8
	3600	479	21.2	473	25.9	467	30.5	460	37.5	453	44.4	481	13.7	474	15.9	465	18.2	515	40.5
	4000	538	23.7	532	28.9	527	34.0	519	41.7	512	49.5	540	15.2	533	17.7	524	20.2	515	40.5
4610	1150	192	10.6	181	13.1	171	15.5	158	19.2			195	6.8	182	8	167	9.2	298	15.9
	1750	339	16.2	329	19.9	319	23.7	306	29.3			343	10.3	329	12.2	315	14	593	26.7
	2950	635	27.4	624	33.7	614	40.0	601	49.5	589	59.0	638	17.4	625	20.5	610	23.6	753	32.6
	3600	795	33.6	784	41.3	774	49.0	761	60.6	749	72.2	798	21.2	785	25	770	28.8	852	36.24
	4000	893	37.4	882	46.0	872	54.6	859	67.4	847	80.3	897	23.6	883	27.8	868	32	852	36.24

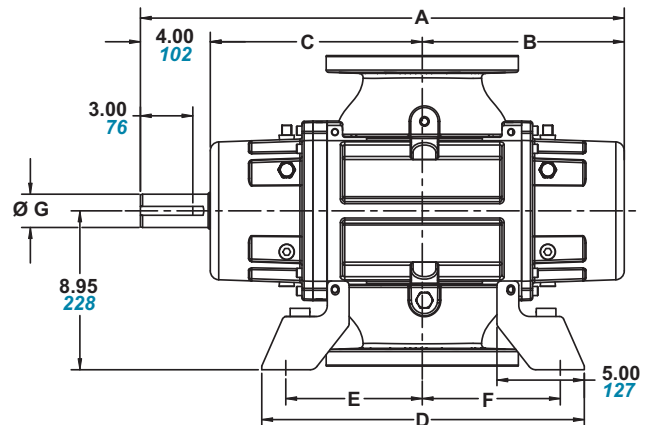
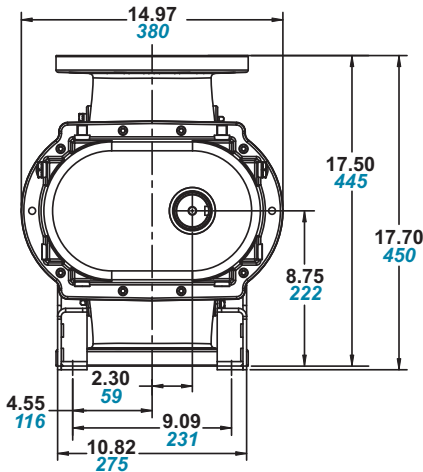
Dimensions

All dimensions are shown below in inches and millimeters. Values are approximate and should not be used for construction. Certain dimensions for metric blowers, as well as 64/67 double envelope gastight, differ slightly from those shown below. Certified prints are available through your local Tuthill Vacuum Blower Systems Sales Professional.

Horizontal Flow



Vertical Flow



MODEL	A	B	C	D	E	F	G	KEYWAY	FLANGE	WEIGHT LB / KG
4606	23.70 602	9.56 243	10.13 258	14.46 368	5.81 148	5.90 150	1.88 48	.500 SQUARE 12.70	ANSI 4", CLASS 150	300 / 136
4610	27.70 704	11.56 294	12.13 308	18.46 469	7.81 199	7.90 201	1.88 48	.500 SQUARE 12.70	ANSI 6", CLASS 150	415 / 188.2

Your Local Tuthill Vacuum & Blower Systems Sales Professional:



Tuthill Vacuum & Blower Systems
 4840 West Kearney Street
 Springfield, Missouri USA 65803-8702
 o 417.865.8715 800.825.6937 f 417.865.2950
<http://vacuum.tuthill.com>