



Rotary Positive Displacement Blowers

- High Pressure, Low Noise Industrial Blowers
- Bi-Directional Rotation / Horizontal and Vertical Airflow
- High Efficiency at high pressure and vacuum
- 18 psi or 17" hg dry vacuum
- Flow to 425 cfm at 5 psi
- Speed to 4800 rpm

The QX is one of the industry's quietest blowers.

Helical Gearing

QX blowers utilize precision helical gears, keyed to the rotor shafts. Helical gears are quieter reducing mechanical noise.

Bearings

All QX blowers include double ball bearings on the timing gear end. For additional strength single roller bearings are used on the drive shaft end of the machine.

Featuring the largest bearings available, QX blowers have L10 bearing life of up to 200,000 hours.

Rotors

QX blowers are available in two-lobe or tri-lobe variations. The tri-lobe variation offers reduced pulsation and lower noise levels. The two-lobe variation is ideal for processes with heavy contamination. For vibration free operation all rotors are dynamically balanced. Shafts are integral to the rotors, which prevents loosening over time.

QX blowers are fitted as standard with piston ring labyrinth process/oil seals. Piston ring seals provide high efficiency, long life and reliability.

The oil chamber is vented to atmosphere providing oil-free air.

Lubrication

QX blowers have oil lubrication on both ends with easy to see sight glasses allowing quick maintenance.

Individually Tested

Every QX blower is factory tested to assure you of the highest quality.

ISO 9001 Registration

QX blowers are manufactured under the Tuthill Vacuum & Blower Systems ISO 9001 registered quality assurance program. We go the distance to insure that your blower meets our rigid quality standards.

Warranty

Every QX blower is backed by the Tuthill Vacuum & Blower Systems limited warranty for a period of 24 months after installation or 30 months after original blower shipment, whichever occurs first.

Worldwide Sales and Service

With sales offices and service facilities located on six continents, you can be assured of availability and service for your QX blowers.

Material Specifications:

| | |
|--------------------|---|
| Housing: | Cast iron |
| End Plates: | Cast iron |
| End Cover: | Cast iron |
| Rotors: | Ductile iron |
| Shafts: | Ductile iron, cast integrally with rotors |
| Bearings: | GE - Double row ball FE - Single Row Cylindrical |
| Gears: | Heat treated alloy steel, helical cut |
| Seals: | Piston Ring Labyrinth |

Optional materials and coatings are available upon request.



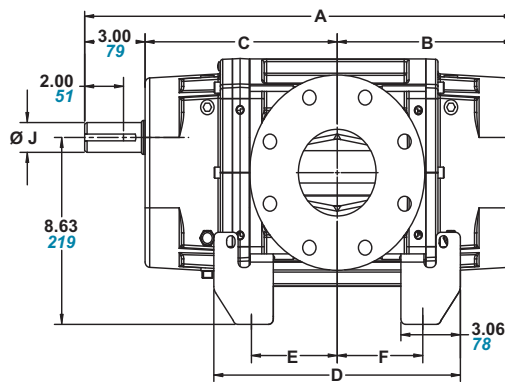
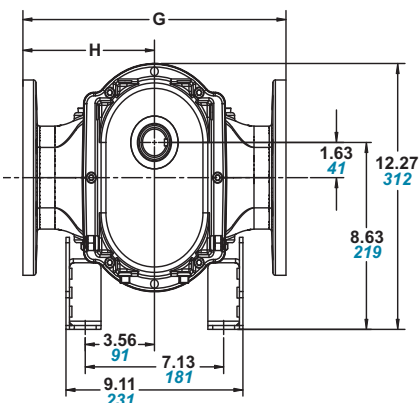
In conjunction with our program of continuous testing and design upgrading, all specifications are subject to change without notice. All data are approximate. Request a quotation for your specific application.

| BLOWER MODEL | SPEED (RPM) | 8 PSIG | | 10 PSIG | | 12 PSIG | | 15 PSIG | | 18 PSIG | | 10 in Hg | | 12 in Hg | | 14 in Hg | | 16 in Hg | |
|--------------|-------------|--------|------|---------|------|---------|------|---------|------|---------|------|----------|------|----------|------|----------|------|----------|------|
| | | CFM | BHP | CFM | BHP | CFM | BHP | CFM | BHP | CFM | BHP | CFM | BHP | CFM | BHP | CFM | BHP | CFM | BHP |
| 3203 | 1150 | 17 | 2.2 | 37 | 3.9 | 34 | 4.5 | | | | | 42 | 2.4 | 38 | 2.7 | | | | |
| | 1750 | 41 | 3.3 | 85 | 6.6 | 82 | 7.7 | 78 | 9.2 | 74 | 10.7 | 90 | 4 | 85 | 4.5 | 81 | 5 | | |
| | 2950 | 88 | 5.6 | 111 | 8.3 | 108 | 9.4 | 104 | 11.3 | 100 | 13.1 | 116 | 4.9 | 112 | 5.5 | 107 | 6.1 | 102 | 6.7 |
| | 4800 | 162 | 9.3 | 158 | 18.2 | 155 | 12.6 | 151 | 15.1 | 147 | 17.6 | 164 | 6.5 | 160 | 7.3 | 155 | 8.12 | 150 | 8.9 |
| 3205 | 1150 | 21 | 3.1 | 53 | 5.7 | 48 | 6.7 | | | | | 61 | 3.3 | 54 | 3.7 | | | | |
| | 1750 | 59 | 4.8 | 129 | 9.7 | 124 | 11.3 | 116 | 13.8 | 109 | 16.2 | 137 | 5.5 | 130 | 6.3 | 121 | 7.1 | | |
| | 2950 | 135 | 8.0 | 171 | 11.8 | 165 | 13.8 | 157 | 16.8 | 151 | 19.8 | 179 | 6.7 | 171 | 7.7 | 163 | 8.7 | 153 | 9.6 |
| | 4800 | 253 | 13.2 | 247 | 15.9 | 241 | 18.6 | 234 | 22.5 | 227 | 26.5 | 255 | 8.9 | 247 | 10.2 | 239 | 11.5 | 226 | 12.8 |
| 3208 | 1150 | 45 | 4.6 | 36 | 5.6 | | | | | | | 47 | 3 | | | | | | |
| | 1750 | 105 | 7.0 | 96 | 8.5 | 89 | 10.1 | | | | | 108 | 4.6 | 97 | 5.4 | 86 | 6.1 | | |
| | 2950 | 225 | 11.8 | 217 | 14.4 | 209 | 17.0 | 199 | 25.3 | 190 | 24.7 | 228 | 7.8 | 217 | 9.1 | 206 | 10.3 | 193 | 11.6 |
| | 4800 | 410 | 19.5 | 402 | 23.7 | 394 | 27.9 | 384 | 41.4 | 375 | 40.4 | 413 | 12.7 | 403 | 14.8 | 391 | 16.8 | 379 | 18.9 |

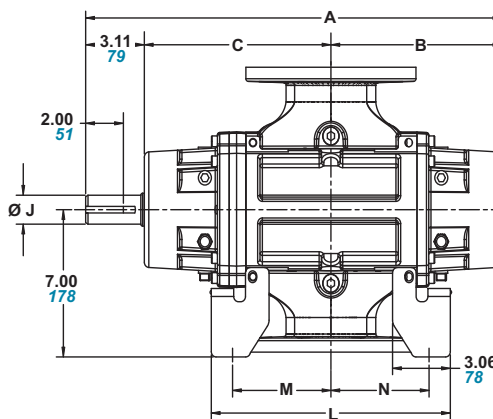
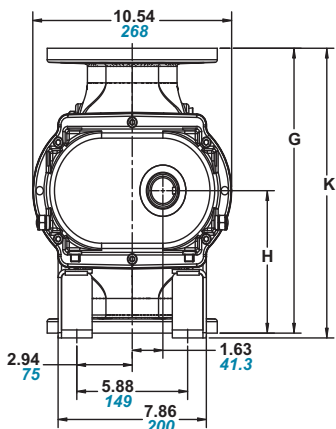
Dimensions

All dimensions are shown below in inches and millimeters. Values are approximate and should not be used for construction. Certain dimensions for metric blowers, as well as 64/67 double envelope gastight, differ slightly from those shown below. Certified prints are available through your local Tuthill Vacuum Blower Systems Sales Professional.

Horizontal Flow



Vertical Flow



| MODEL | A | B | C | D | E | F | G | H | J | K | L | M | N | KEYWAY | FLANGE | WEIGHT LB / KG |
|-------|--------------|-------------|-------------|--------------|-------------|-------------|--------------|-------------|------------|--------------|--------------|-------------|-------------|--------------|------------------------------|----------------|
| 3203 | 17.12 435 | 6.59 167 | 7.42 188 | 7.75 197 | 1.95 50 | 1.94 49 | 11.54 293 | 5.77 146 | 1.38 35 | 12.77 324 | 7.73 197 | 2.75 70 | 2.73 70 | .313 7.94 | SQUARE ANSI 2", CLASS 150 | 95 / 43 |
| 3205 | 19.06 484 | 7.59 192 | 8.36 212 | 9.69 246 | 2.89 73 | 2.94 75 | 11.54 293 | 5.77 146 | 1.38 35 | 12.77 324 | 9.67 246 | 3.68 94 | 3.73 95 | .313 7.94 | SQUARE ANSI 3", CLASS 150 | 160 / 72.6 |
| 3208 | 22.06 560 | 9.06 230 | 9.89 251 | 12.69 322 | 4.42 112 | 4.40 112 | 13.54 344 | 6.77 172 | 1.38 35 | 13.77 350 | 12.67 322 | 5.21 132 | 5.20 132 | .313 7.94 | SQUARE ANSI 4", CLASS 150 | 190 / 86 |

Your Local Tuthill Vacuum & Blower Systems Sales Professional:



Tuthill Vacuum & Blower Systems
 4840 West Kearney Street
 Springfield, Missouri USA 65803-8702
 o 417.865.8715 800.825.6937 f 417.865.2950
 http://vacuum.tuthill.com