



QX™-6000 by Tuthill

Rotary Positive Displacement Blowers

- High Pressure, Low Noise Industrial Blowers
- Bi-Directional Rotation / Horizontal and Vertical Airflow
- High Efficiency at high pressure and vacuum
- 18 psi or 17" hg dry vacuum
- Flows to 2030 cfm at 5 psi
- Speed to 3600 rpm

The QX is one of the industry's quietest blowers.

Helical Gearing

QX blowers utilize precision helical gears, keyed to the rotor shafts. Helical gears are quieter reducing mechanical noise.

Bearings

All QX blowers include double ball bearings on the timing gear end. For additional strength single roller bearings are used on the drive shaft end of the machine.

Featuring the largest bearings available, QX blowers have L10 bearing life of up to 200,000 hours.

Rotors

QX blowers are available in two-lobe or tri-lobe variations. The tri-lobe variation offers reduced pulsation and lower noise levels. The two-lobe variation is ideal for processes with heavy contamination. For vibration free operation all rotors are dynamically balanced. Shafts are integral to the rotors, which prevents loosening over time.

Seals

QX blowers are fitted as standard with piston ring labyrinth process/oil seals. Piston ring seals provide high efficiency, long life and reliability.

The oil chamber is vented to atmosphere providing oil-free air.

Lubrication

QX blowers have oil lubrication on both ends with easy to see sight glasses allowing quick maintenance.

Individually Tested

Every QX blower is factory tested to assure you of the highest quality.

ISO 9001 Registration

QX blowers are manufactured under the Tuthill Vacuum & Blower Systems ISO 9001 registered quality assurance program. We go the distance to insure that your blower meets our rigid quality standards.

Warranty

Every QX blower is backed by the Tuthill Vacuum & Blower Systems limited warranty for a period of 24 months after installation or 30 months after original blower shipment, whichever occurs first.

Worldwide Sales and Service

With sales offices and service facilities located on six continents, you can be assured of availability and service for your QX blowers.

Material Specifications:

Housing:	Cast iron
End Plates:	Cast iron
End Cover:	Cast iron
Rotors:	Ductile iron
Shafts:	Ductile iron, cast integrally with rotors
Bearings:	GE - Double row ball FE - Single Row Cylindrical
Gears:	Heat treated alloy steel, helical cut
Seals:	Piston Ring Labyrinth

Optional materials and coatings are available upon request.



70 PSIA and 70° F Inlet)

g and design upgrading, all specifications are subject to change without notice. All data are approximate.

www.airblowerservices.com

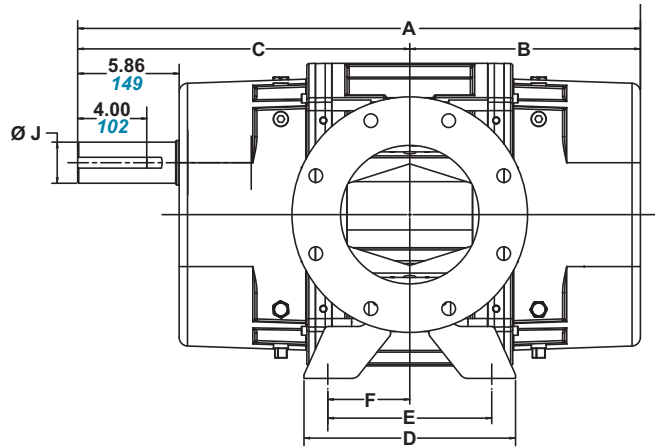
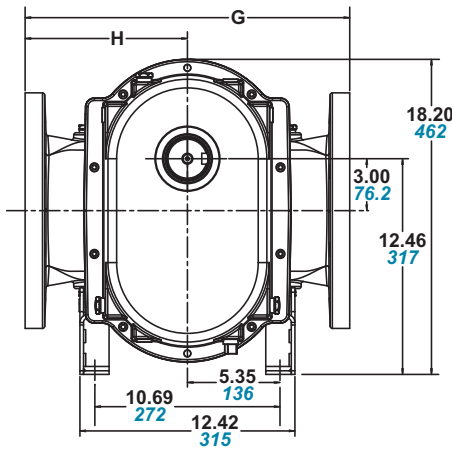
1.630.372.9222

	12 PSIG		15 PSIG		18 PSIG		10 in Hg		12 in Hg		14 in Hg		16 in Hg						
	CFM	BHP	CFM	BHP	CFM	BHP	CFM	BHP	CFM	BHP	CFM	BHP	CFM	BHP					
6009	2950	965	40.4	953	49.7	291	22.9	276	28.4	480	51.5	318	10.1	303	11.8	286	13.6	484	23.5
	3200	1055	49.5	1043	60.8	508	34.9	493	43.2	914	87.0	535	15.3	520	18.0	503	20.7	919	39.5
6015	1150	523	25.4	503	31.4	485	37.5	460	46.6	799	84.8	530	16.0	504	19.0	477	21.9	807	37.9
	1750	885	38.8	865	48.0	846	57.2	822	71.0	1523	143.7	891	24.4	866	28.9	838	33.4	1531	63.9
	2950	1608	66.1	1588	81.6	1570	97.1	1545	120.4	1674	176.1	1615	41.1	1590	48.7	1562	56.3	1682	78.0
	3200	1759	81.4	1739	100.3	1721	119.3	1696	147.7										

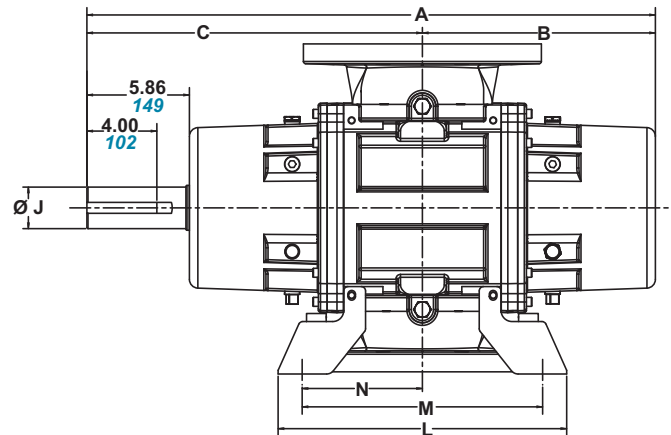
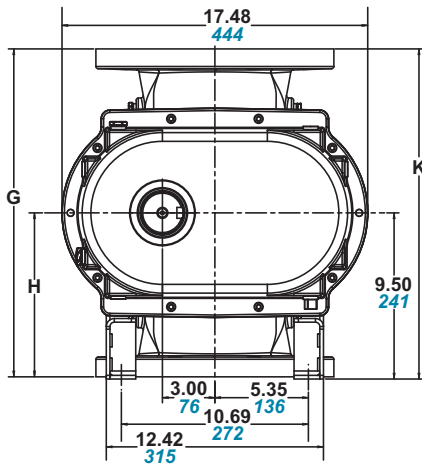
Dimensions

All dimensions are shown below in inches and millimeters. Values are approximate and should not be used for construction. Certain dimensions for metric blowers, as well as 64/67 double envelope gastight, differ slightly from those shown below. Certified prints are available through your local Tuthill Vacuum Blower Systems Sales Professional.

Horizontal Flow



Vertical Flow



MODEL	A	B	C	D	E	F	G	H	J	K	L	M	N	KEYWAY	FLANGE	WEIGHT LB / KG	
6009	32.51 826	13.32 338	19.18 487	12.22 310	9.47 241	4.73 120	18.75 476	9.38 238	2.38 60	18.88 479	16.50 419	13.75 350	6.88 175	.625 15.88	SQUARE	ANSI 8", CLASS 150	633 / 287.1
6015	38.51 978	16.32 415	22.18 563	18.22 463	15.47 393	4.74 197	18.75 476	9.38 238	2.38 60	18.88 479	22.50 572	19.75 502	9.88 251	.625 15.88	SQUARE	ANSI 8", CLASS 150	783 / 355.2

Your Local Tuthill Vacuum & Blower Systems Sales Professional:



Tuthill Vacuum & Blower Systems

4840 West Kearney Street

Springfield, Missouri USA 65803-8702

o 417.865.8715 800.825.6937 f 417.865.2950

http://vacuum.tuthill.com