

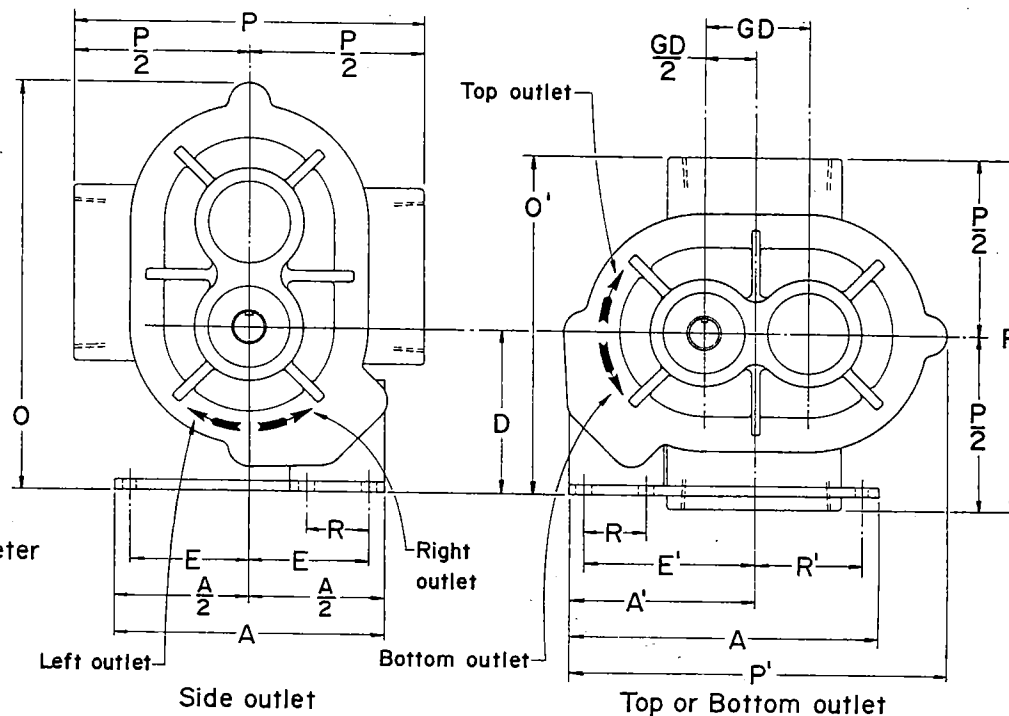
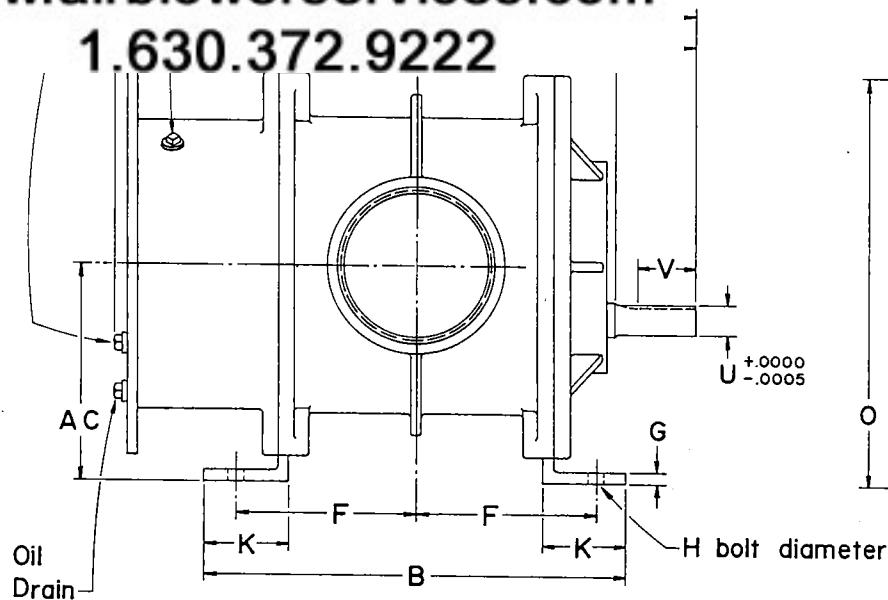
# Air

# Blower

# Services Inc.

www.airblowerservices.com

1.630.372.9222



W - Inlet and discharge connection-N.P.T.

NOTE - 1701 Size only - W dimension shown denotes I. D. of connecting hose. Hose engagement  $1\frac{1}{8}$ .

## WHISPAIR MAX BLOWER

All dimensions in inches

Size	GD	A	B	C	D	E	F	G	H	K	M	N	O	P	R	U	V	keyway	W	AC	A'	E'	O'	P'	R'	oil capacity		6-13-69 approx. weight
																										side outlet	T. or B. outlet	
1701	1 $\frac{3}{4}$	5 $\frac{1}{4}$	4 $\frac{5}{16}$	8 $\frac{3}{32}$	3	2 $\frac{1}{4}$	1 $\frac{25}{32}$	3 $\frac{1}{16}$	5 $\frac{1}{16}$	1 $\frac{7}{16}$	2 $\frac{1}{8}$	1 $\frac{7}{8}$	7 $\frac{3}{8}$	6 $\frac{3}{4}$	1 $\frac{3}{8}$	.5625	1 $\frac{3}{8}$	1 $\frac{1}{8}$ X 1 $\frac{1}{16}$	1 $\frac{21}{32}$	3 $\frac{7}{8}$	3 $\frac{1}{2}$	3 $\frac{1}{8}$	6 $\frac{3}{8}$	7	1 $\frac{3}{8}$	3 $\frac{1}{8}$ FL OZ.	2 $\frac{7}{8}$ FL OZ.	19 LB.
1702	"	"	5 $\frac{5}{16}$	9 $\frac{1}{8}$	"	"	2 $\frac{9}{32}$	"	"	"	2 $\frac{5}{8}$	"	"	"	"	"	"	"	1 $\frac{1}{2}$	"	"	"	"	"	"	"	"	22 LB.
1704	"	"	7 $\frac{3}{32}$	11	"	"	3 $\frac{3}{16}$	"	"	"	3 $\frac{9}{16}$	"	"	"	"	"	"	"	2	"	"	"	"	"	"	"	"	26 LB.
1707	"	"	9 $\frac{1}{2}$	13 $\frac{5}{16}$	"	"	4 $\frac{3}{8}$	"	"	"	4 $\frac{3}{4}$	"	"	"	"	"	"	"	2 $\frac{1}{2}$	"	"	"	"	"	"	"	"	29 LB.

APPROVED FOR CONSTRUCTION

Customer \_\_\_\_\_  
 Customer order no. \_\_\_\_\_ Roots no. \_\_\_\_\_  
 Date \_\_\_\_\_ By \_\_\_\_\_

V-BELT DRIVE SPECIFICATIONS  
 Belts \_\_\_\_\_  
 P.D. Drive sheave \_\_\_\_\_  
 P.D. Driven sheave \_\_\_\_\_  
 Center distance \_\_\_\_\_

**Roots Blower and Vacuum Pump Division**  
 DRESSER INDUSTRIES, INC.  
 CONNERSVILLE, INDIANA

847-300-022