

Legend® Series

Positive Displacement Blowers
& Vacuum Pumps



Setting the Industry Standard for Over 70 Years

Gardner Denver's Sutorbilt® Legend® line of rotary positive displacement lobe blowers and vacuum pumps are the result of more than seventy years experience in the design, manufacture and support of superior industrial equipment.

Why the Sutorbilt line of blowers and vacuum pumps earned the name "Legend."

- Backed by one of the largest distributor networks in the industry
- Every Sutorbilt Legend blower/vacuum pump is built under rigid ISO 9001:2000 quality standards
- Each Legend is individually tested to meet rigorous performance specifications
- Requested by leading Original Equipment Manufacturers (OEMs) worldwide for a wide range of applications, due to the ability to customize the Legend to their specifications while meeting strict performance requirements
- A Legend is at the heart of an ever-expanding variety of air solutions working every minute of every day around the globe
- Available in 20 sizes with 4 different configurations
- The Legend Series delivers
 - Pressure to 15 psig
 - Vacuum to 16" Hg
 - Flows to 3,015 scfm

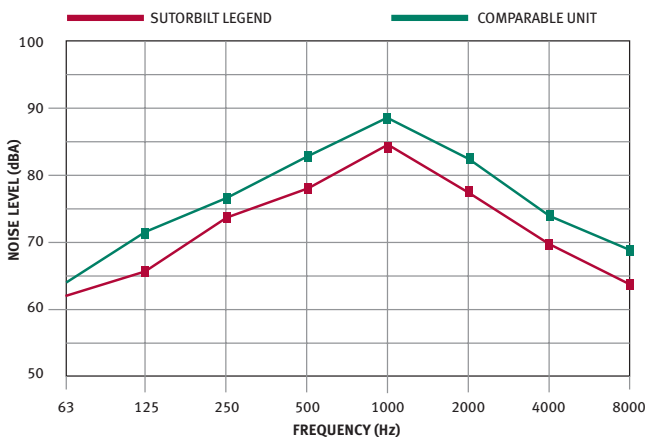


Proven Performance. Global Applications. Local Support.

QUIET OPERATION

The sound data shown below compares the Legend (red) and a comparably sized blower (green) operating at 3,275 rpm and 12 psig.

- Improved blower design reduces the sound pressure output of the Legend blower
- Typical reduction is 3 dBA which represents 50% less noise than the competition



SUPERIOR LOCAL SALES AND SERVICE

- Extensive network of authorized Gardner Denver/ Sutorbilt distributors
- Offers the most convenient local sales and service support in the industry
- Factory trained professionals are experts in blower/ vacuum pump technology
- Providing system installation guidance, troubleshooting and optimization recommendations for new or existing applications

EVEN A “LEGENDARY” WARRANTY

Every Sutorbilt Legend Series blower/vacuum pump is covered by a “Legendary” warranty: 24 months from the date of shipment or 18 months from the date of installation.

INDUSTRY	APPLICATION
Aquaculture	Aeration
Cement & Lime	Fluidization & Conveying
Chemical	Vacuum Processing & Conveying
Coal Bed/Landfill	Methane Gas Recovery
Dairy	Automated Milking
Dry Bulk Hauling	Trailer Unloading & Aeration
Environmental Services	Sewer Cleaning & Portable Restroom Services
Industrial	Material Vacuuming
Milling & Baking	Blending & Conveying
Oil & Gas	Gas Collection & Sparging
Power Generation	Fly Ash Conveying & Aeration
Process Gas	Gas Boosting
Pulp & Paper	Chip Conveying & Process Vacuum
Resin & Plastic	Processing & Conveying
Soil Remediation	Vacuum Extraction & Sparging
Vacuum Excavation	Potholing & Slurry Recovery
Wastewater	Aeration & Backwashing

The above table illustrates industries which depend upon the Sutorbilt® Legend® to deliver clean, oil-free air to a wide range of global applications.

Design Features

1 High-strength impeller case is heavily ribbed and machined from a single piece of cast iron and features oversized dowel pins for precise mounting and alignment of head plates.

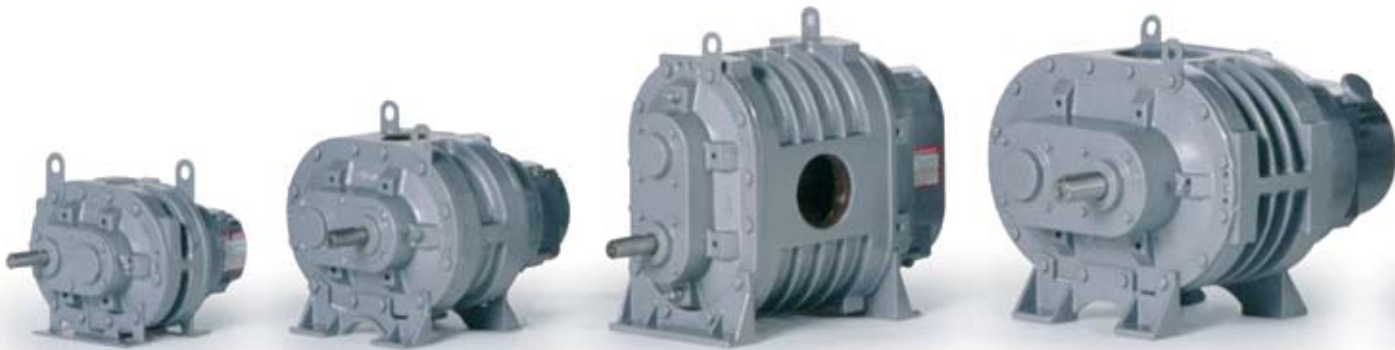
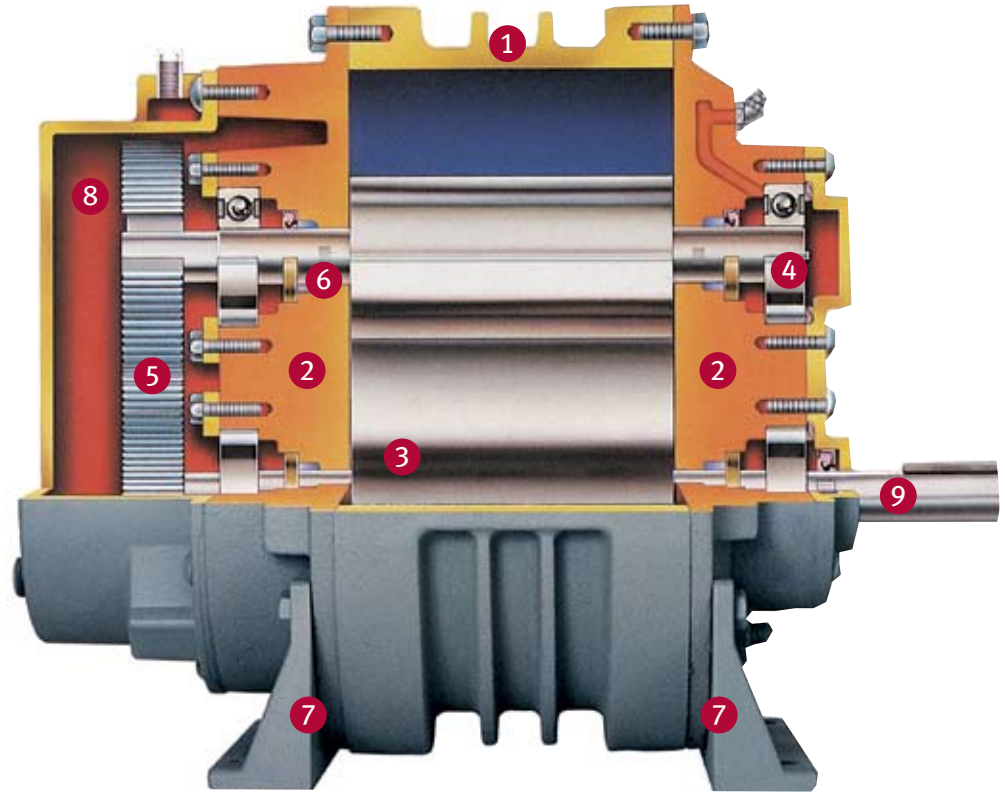
These features result in reduced noise and more stable, vibration-free operation.

2 Head plates, machined from cast iron, are ground on the interior surface to precise operating tolerances. Bearing fits are machined into head plates to assure exact bearing positioning.

This ensures accurate, fixed-dimension clearances through all blower operating conditions and temperature ranges.

3 Impellers are machined from cast iron to an exact profile and are permanently fastened to steel shafts. They are dynamically balanced for smooth operation in any assembled position.

This provides extra strength and rigidity to handle continuous maximum loads without fatigue or deflection.



2MP LHC

3MP RHC

4LVP BHC

5MP RHC

4 Anti-friction bearings are used exclusively. Smaller models are fitted with single-row ball bearings and cylindrical roller bearings; large models have double-row ball bearings and spherical roller bearings.

Optimum bearing selection provides longer blower life and added overhung shaft load capacity.

5 Timing gears, precision machined from alloy steel forgings, are permanently pinned to the shafts.

This assures non-slip timing even under the most strenuous loading conditions.

6 High temperature Viton® oil seals.

These maximize the seal life in continuous, severe-duty applications to provide leak-free operation.

7 Flex-Mount™ design is adaptable to either vertical or horizontal installation.

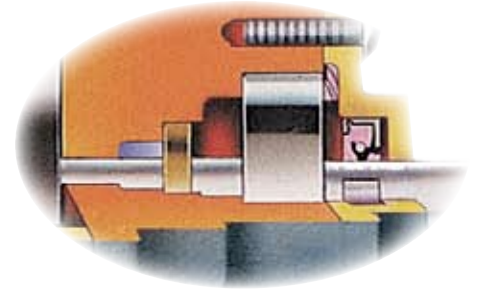
The feet are precisely machined and match the footprints of many competitive units.

8 Timing gears and gear end bearings are splash lubricated utilizing an abundant oil reservoir. A graphite gasketed, oil-tight housing encloses the timing gears. Drive end bearings are grease lubricated through fittings. Lip-type seals prevent oil and grease from entering the impeller chamber.

Superior gear and bearing lubrication is assured at all operating conditions with minimal maintenance.

9 High strength steel drive shaft is extended for V-belt drive or direct connection.

This feature provides greater blower durability and installation flexibility.



Available with Mechanical Gas Seals

The Legend design accommodates mechanical gas seals for critical gas applications with proven results based on a large installed base.

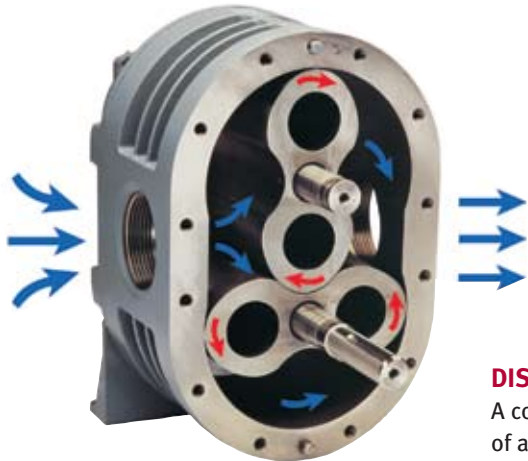
This field proven seal design allows trouble-free operation in critical gas applications.



6HVP BHC

7MVP BHC

8HVP BHC



INTAKE

A constant volume of air or gas is drawn into the cylinder by the action of the turning impellers.

DISCHARGE

A constant volume of air or gas is forced out through the discharge port.

TRANSFER

A constant volume of trapped air or gas is transferred around the cylinder to the discharge port.

The Sutorbilt PD Cycle

- Two figure-eight impellers turn in opposite directions within a machined housing
- Transferring a constant volume of air or gas from inlet to discharge with every rotation of the blower drive shaft
- No lubrication within the cylinder is required
- Rotating components are held in close tolerance do not contact each other
- Impeller positioning is maintained by precision timing gears affixed to each impeller shaft
- Gear and bearing lubrication occurs externally to the cylinder assuring clean, oil-free gas delivery under all operating conditions

Flex-Mount™ Design Provides Maximum Installation Versatility

- Flex-Mount™ design allows the Legend application flexibility
- Creating interchangeability on existing and new applications
- Compatible as replacements for most competitive installations



Vertical Configuration, Bottom Hand Drive



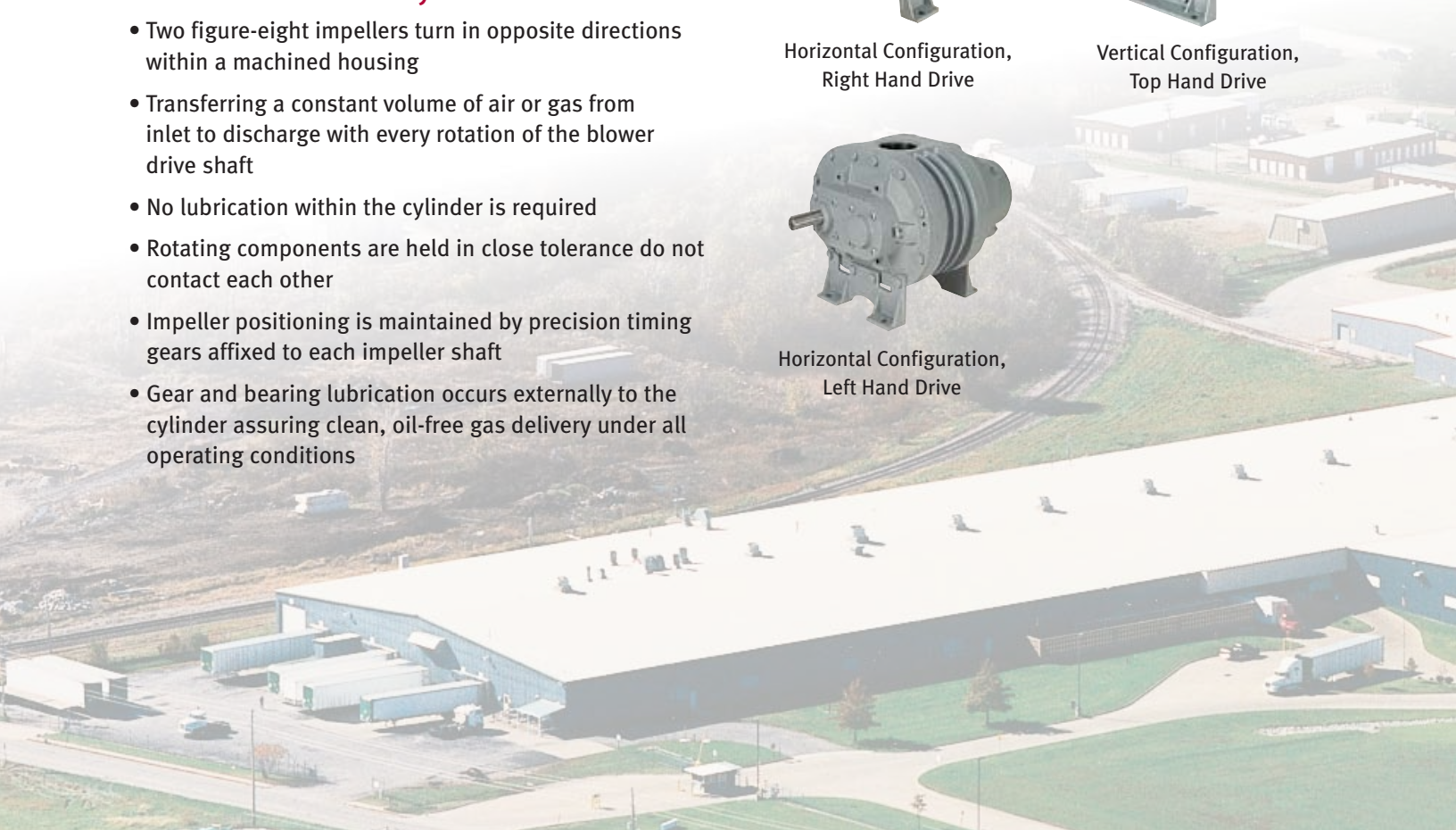
Horizontal Configuration, Right Hand Drive



Vertical Configuration, Top Hand Drive



Horizontal Configuration, Left Hand Drive



State-of-the-Art Quality

Gardner Denver's Sutorbilt Legend blowers and vacuum pumps are engineered and manufactured under strict ISO 9001:2000 quality standards in our 330,000 square foot state-of-the-art facility in Sedalia, MO (photo below)

- Gardner Denver makes it a priority to invest in highly skilled people who take pride in producing quality products
- Our Flexible Machining System (FMS) assures consistent production of the highest quality Legend components
- Attention to detail is found throughout the manufacturing process such as utilizing advanced coordinate measuring equipment (photo A)
- Legend components are subjected to quality inspections before assembly
- Prior to shipment, every Legend is tested against rigid standards using our computer automated testing stations (photo B)

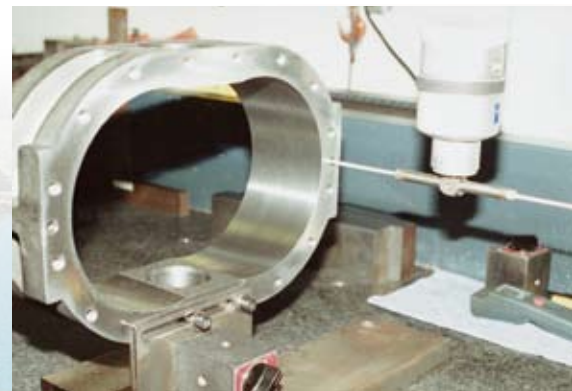


Photo A



Photo B



Performance Data

	2 PSIG		3 PSIG		4 PSIG		5 PSIG		6 PSIG		7 PSIG					
	CFM	BHP	CFM	BHP	CFM	BHP	CFM	BHP	CFM	BHP	CFM	BHP				
LOW PRESSURE UNITS	3LP 3LVP	2½"-S	0.104	76	1.1	71	1.6	67	2.1	63	2.5	59	3.0	56	3.5	
				91	1.3	86	1.8	82	2.4	79	2.9	75	3.4	72	4.0	
				102	1.4	97	2.0	93	2.6	89	3.2	86	3.7	83	4.3	
				162	2.0	157	2.8	153	3.7	149	4.6	146	5.3	143	6.1	
	4LP 4LVP	3"-S	0.170	149	1.9	142	2.8	135	3.7	130	4.5	124	5.2	120	6.1	
				202	2.4	194	3.5	188	4.7	182	5.6	177	6.7	172	7.8	
				254	2.9	247	4.3	240	5.5	235	6.8	230	8.2	225	9.6	
				341	3.7	333	5.3	327	7.1	321	8.9	316	10.6	311	12.4	
	5LP 5LVP	4"-S	0.350	1,760	253	3.0	243	4.5	234	5.7	227	7.1	220	8.5	213	9.9
				2,190	326	3.7	316	5.3	307	7.1	300	8.8	293	10.6	286	12.4
				2,620	400	4.4	389	6.3	381	8.4	373	10.6	366	12.7	360	14.8
				3,600	566	5.8	556	8.7	547	11.6	539	14.5	533	17.4	526	20.3
6LP 6LVP	6"-F	0.718	1,500	463	5.2	449	7.5	438	10.0	427	12.4	418	14.9	409	17.4	
			1,760	554	5.8	540	8.8	529	11.7	518	14.6	509	17.5	500	20.4	
			2,100	673	7.0	659	10.5	648	13.9	637	17.4	628	20.9	619	24.4	
			2,850	936	9.5	922	14.2	910	18.9	900	23.6	890	28.4	882	33.1	
7LP 7LVP	8"-F	1.200	1,170	739	8.0	716	11.9	697	15.9	680	19.9	664	23.9	650	27.9	
			1,760	1,162	12.0	1,139	18.0	1,120	24.0	1,103	29.9	1,088	35.9	1,074	41.9	
			1,930	1,284	13.1	1,261	19.7	1,242	26.3	1,225	32.8	1,210	39.4	1,196	46.0	
			2,350	1,586	16.0	1,563	24.0	1,544	32.0	1,527	40.0	1,512	48.0	1,497	56.0	
8LP 8LVP	10"-F	1.740	1,170	1,277	13.3	1,248	20.0	1,224	16.6	1,203	33.3	1,184	39.9			
			1,465	1,631	16.7	1,602	25.0	1,578	33.3	1,557	41.7	1,538	50.0			
			1,760	1,985	20.0	1,956	30.0	1,932	40.0	1,911	50.1	1,892	60.1			
			2,050	2,333	23.3	2,304	35.0	2,280	46.6	2,259	58.3	2,240	70.0			
	880	1,366	14.5	1,329	21.8	1,298	29.0	1,271	36.3	1,246	43.5					
	1,170	1,871	19.3	1,834	28.9	1,803	38.6	1,775	48.2	1,750	57.9					
	1,375	2,228	22.7	2,191	34.0	2,159	45.4	2,132	56.7	2,107	68.0					
	1,800	2,967	29.7	2,930	44.5	2,899	59.4	2,871	74.2	2,847	89.1					

	SIZE	DIA. INLET & OUTLET	DISPL. CU. FT./REV.	RPM	7 PSIG		9 PSIG		10 PSIG		12 PSIG		13 PSIG		14 PSIG			
					CFM	BHP	CFM	BHP	CFM	BHP	CFM	BHP	CFM	BHP	CFM	BHP		
MEDIUM PRESSURE UNITS	2MP 2MVP	1"-S	0.017	2,800	25	1.7	22	2.1										
				3,250	33	1.9	30	2.5	28	2.7								
				3,560	38	2.1	35	2.7	34	3.0								
				5,275	67	3.1	64	3.9	63	4.4	60	5.1						
	3MP 3MVP	2"-S	0.060	1,760	64	3.6	59	4.6										
				2,265	95	4.6	89	5.8	87	6.4								
				2,770	125	5.5	119	7.1	117	7.9	112	9.5						
				3,600	175	7.2	169	9.2	167	10.2	162	12.3						
	4MP 4MVP	2½"-S	0.117	1,760	144	6.8	136	8.8	132	9.8								
				2,190	194	8.5	186	10.9	182	12.1								
				2,620	245	10.2	236	13.1	233	14.5								
				3,600	359	14.0	351	18.0	347	20.0								
5MP 5MVP	4"-S	0.210	1,500	237	10.5	227	13.4	222	14.9	213	17.9	209	19.4					
			1,760	292	12.3	281	15.8	277	17.5	268	21.0	263	22.8					
			2,100	363	14.6	353	18.8	348	20.9	339	25.1	335	27.2					
			2,850	521	19.9	510	25.5	506	28.4	497	34.0	493	36.9					
6MP 6MVP	5"-S	0.383	1,170	332	14.9	316	19.1	309	21.2	296	25.5	289	27.6	283	29.7			
			1,760	558	22.4	542	28.8	535	32.0	522	38.3	515	41.5	509	44.7			
			1,930	622	24.5	607	31.5	600	35.0	587	42.0	580	45.5	574	49.1			
			2,350	784	29.9	768	38.4	761	42.7	748	51.2	741	55.5	735	59.7			
7MP 7MVP	6"-F	0.733	1,170	693	28.5	671	36.6	661	40.7									
			1,465	909	35.6	887	45.8	877	50.9									
			1,760	1,125	42.8	1,103	55.0	1,093	61.1									
			2,050	1,338	49.9	1,316	64.1	1,306	71.2									
8MP 8MVP	8"-F	1.040	880	709	30.4	681	39.0	669	43.4									
			1,170	1,011	40.4	983	51.9	970	57.7									
			1,375	1,224	47.4	1,196	61.0	1,183	67.8									
			1,800	1,666	62.1	1,638	79.9	1,625	88.7									

	SIZE	DIA. INLET & OUTLET	DISPL. CU. FT./REV.	RPM	7 PSIG		8 PSIG		9 PSIG		11 PSIG		13 PSIG		15 PSIG	
					CFM	BHP	CFM	BHP	CFM	BHP	CFM	BHP	CFM	BHP	CFM	BHP
HIGH PRESSURE UNITS	3HP 3HVP	1¼"-S	0.045	1,760	46	2.6	44	3.0	41	3.4						
				2,265	69	3.4	66	3.9	64	4.3	60	5.3				
				2,770	91	4.1	89	4.7	87	5.3	83	6.5				
				3,600	129	5.4	126	6.1	124	6.9	120	8.4	117	10.0	113	11.5
	4HP 4HVP	1½"-S	0.069	1,760	80	4.0	77	4.6	74	5.2						
				2,190	110	5.0	107	5.7	104	6.4	99	7.9				
				2,620	139	6.0	137	6.9	134	7.7	129	9.4	124	11.1		
				3,600	207	8.2	204	9.4	201	10.6	196	13.0	192	15.3	188	17.7
	5HP 5HVP	2½"-S	0.140	1,500	154	7.0	151	8.0	147	9.0	140	10.9				
				1,760	191	8.2	187	9.3	183	10.5	177	12.8	171	15.2	165	17.5
				2,100	238	9.8	235	11.1	231	12.5	224	15.3	218	18.1	213	20.9
				2,850	343	13.2	340	15.1	336	17.0	329	20.8	323	24.6	318	28.4
6HP 6HVP	3"-S	0.227	1,170	188	8.8	182	10.1	177	11.3	168	13.8	159	16.4			
			1,760	321	13.3	316	15.1	311	17.0	302	20.8	293	24.6	285	28.4	
			1,930	360	14.5	355	16.6	350	18.7	340	22.8	332	27.0	324	31.1	
			2,350	455	17.7	450	20.2	445	22.8	436	27.8	427	32.9	419	37.9	
7HP 7HVP	4"-S	0.367	1,170	332	14.2	326	16.3	319	18.3	308	22.4	297	26.5	287	30.5	
			1,465	441	17.8	434	20.4	428	22.9	416	28.0	405	33.1	396	38.2	
			1,760	549	21.4	542	24.5	536	27.6	524	33.7	514	39.8	504	45.9	
			2,050	655	25.0	649	28.5	642	32.1	631	39.2	620	46.4	610	53.5	
8HP 8HVP	4"-S	0.566	880	363	16.5	354	18.9	345	21.2	329	26.0	315	30.7	301	35.4	
			1,170	528	22.0	518	25.1	509	28.3	493	34.5	479	40.8	465	47.1	
			1,375	644	25.8	634	29.5	626	33.2	609	40.6	595	48.0	581	55.3	
			1,800	884	33.8	875	38.6	866	43.5	850	53.1	835	62.8	822	72.4	

Performance based on standard conditions: Sea Level, 14.7 PSIA, 68°F Inlet Temperature, 36% Relative Humidity. For performance with gases other than air or at non-standard conditions, contact your Authorized Sutorbilt representative. S=Screwed connections std. NPT. F=flange connections. Intake and outlet pipe connections are same type and size.

Performance Data

				2 "Hg		4 "Hg		8 "Hg		10 "Hg		12 "Hg		14 "Hg		
				CFM	BHP	CFM	BHP	CFM	BHP	CFM	BHP	CFM	BHP	CFM	BHP	
LOW VACUUM UNITS	3LP 3LVP	2½"-S	0.104	1,760	158	1.1	147	1.9	128	3.6	118	4.5	108	5.1		
				2,265	211	1.3	200	2.4	180	4.6	171	5.5	160	6.6		
				2,770	264	1.5	252	2.9	233	5.4	223	6.7	213	8.1		
				3,600	350	1.9	338	3.7	319	7.0	309	8.7	299	10.5	288	12.2
	4LP 4LVP	3"-S	0.170	1,760	266	1.6	250	3.0	224	5.6	211	7.0	197	8.4		
				2,190	339	1.9	323	3.7	297	6.9	284	8.7	270	10.4		
				2,620	412	2.3	396	4.3	370	8.3	357	10.4	343	12.4	329	14.5
				3,600	579	3.1	563	5.7	537	11.4	524	14.3	510	17.1	495	20.0
	5LP 5LVP	4"-S	0.350	1,500	480	2.6	459	5.1	424	9.8	406	12.2	388	14.7		
				1,760	571	3.1	550	5.7	515	11.5	497	14.3	479	17.2	459	20.1
				2,100	690	3.6	669	6.8	634	13.7	616	17.1	598	20.5	578	24.0
				2,850	953	4.8	932	9.3	896	18.6	879	23.2	860	27.9	840	32.5
6LP 6LVP	6"-F	0.718	1,170	766	4.1	732	7.8	674	15.7	645	19.6	615	23.5			
			1,760	1,190	5.9	1,115	11.8	1,097	23.5	1,068	29.4	1,038	35.3	1,005	41.2	
			1,930	1,312	6.5	1,278	12.9	1,219	25.8	1,191	32.3	1,160	38.7	1,127	45.2	
			2,350	1,614	7.9	1,579	15.7	1,521	31.4	1,492	39.3	1,462	47.2	1,429	55.0	
7LP 7LVP	8"-F	1.200	1,170	1,312	6.5	1,268	13.1	1,195	26.2	1,159	32.7	1,121	39.2			
			1,465	1,666	8.2	1,622	16.4	1,549	32.8	1,513	40.9	1,475	49.1			
			1,760	2,020	9.8	1,976	19.7	1,903	39.3	1,867	49.2	1,829	59.0			
			2,050	2,368	11.5	2,324	22.9	2,251	45.8	2,215	57.3	2,177	68.7			
8LP 8LVP	10"-F	1.740	880	1,411	7.1	1,355	14.3	1,261	28.5	1,214	35.7	1,165	42.8			
			1,170	1,916	9.5	1,860	19.0	1,766	37.9	1,719	47.4	1,670	56.9			
			1,375	2,273	11.1	2,217	22.3	2,122	44.6	2,076	55.7	2,026	66.9			
			1,800	3,012	14.6	2,953	29.2	2,862	58.4	2,815	72.9	2,765	87.6			

	SIZE	DIA. INLET & OUTLET	DISPL. CU. FT./REV.	RPM	6 "Hg		10 "Hg		12 "Hg		14 "Hg		15 "Hg		16 "Hg	
					CFM	BHP	CFM	BHP	CFM	BHP	CFM	BHP	CFM	BHP	CFM	BHP
MEDIUM VACUUM UNITS	2MP 2MVP	1"-S	0.017	2,800	31	0.8	24	1.2								
				3,250	39	0.9	32	1.4								
				3,560	44	0.9	37	1.5	34	1.8						
				4,165	54	1.1	48	1.7	44	2.1	40	2.4	57	3.2		
	5,275	73	1.4	67	2.2	63	2.6	59	3.0							
	3MP 3MVP	2"-S	0.060	1,760	76	1.6	63	2.6	57	3.1						
				2,265	106	2.0	93	3.3	87	3.9						
				2,770	136	2.4	124	4.0	117	4.7	110	5.4				
				3,600	186	3.1	174	5.0	167	6.0	160	7.0	156	7.5		
	4MP 4MVP	2½"-S	0.117	1,760	161	3.0	142	4.9	132	5.8						
				2,190	211	3.7	193	6.0	183	7.2						
				2,620	262	4.4	243	7.1	233	8.6	222	10.0				
3,600				376	5.9	358	9.8	348	11.8	337	13.7	331	14.7	325	15.7	
5MP 5MVP	4"-S	0.210	1,500	258	4.5	235	7.3	223	8.8	209	10.3					
			1,760	313	5.2	290	8.6	277	10.3	264	12.1					
			2,100	384	6.2	361	10.3	349	12.3	335	14.4	328	15.4			
			2,850	542	8.4	519	13.9	506	16.7	493	19.5	485	20.9	477	22.3	
6MP 6MVP	5"-S	0.383	1,170	363	6.3	328	10.4	310	12.5	290	14.6	279	15.7	267	16.7	
			1,760	589	9.4	554	15.7	536	18.8	516	22.0	505	23.5	493	25.1	
			1,930	655	10.3	619	17.2	601	20.7	581	24.1	570	25.8	558	27.5	
			2,350	815	12.6	780	21.0	762	25.2	741	29.3	731	31.4	719	33.5	
7MP 7MVP	6"-F	0.733	1,170	738	12.0	688	20.0	662	24.0	633	28.0	618	30.0	601	32.0	
			1,465	954	15.0	904	25.0	878	30.0	850	35.0	834	37.5	817	40.0	
			1,760	1,170	18.0	1,121	30.0	1,094	36.1	1,065	42.1	1,050	45.1	1,034	48.1	
			2,050	1,383	21.0	1,333	35.0	1,307	42.0	1,278	49.0	1,263	52.5	1,246	56.0	
8MP 8MVP	8"-F	1.040	880	765	12.8	703	21.3	670	25.6	634	29.8	615	32.0	594	34.1	
			1,170	1,067	17.0	1,005	28.3	972	34.0	936	39.7	917	42.5	896	45.3	
			1,375	1,280	20.0	1,218	33.3	1,185	40.0	1,149	46.6	1,130	50.0	1,109	53.3	
			1,800	1,722	26.2	1,660	43.6	1,627	52.3	1,591	61.0	1,572	65.4	1,551	69.7	

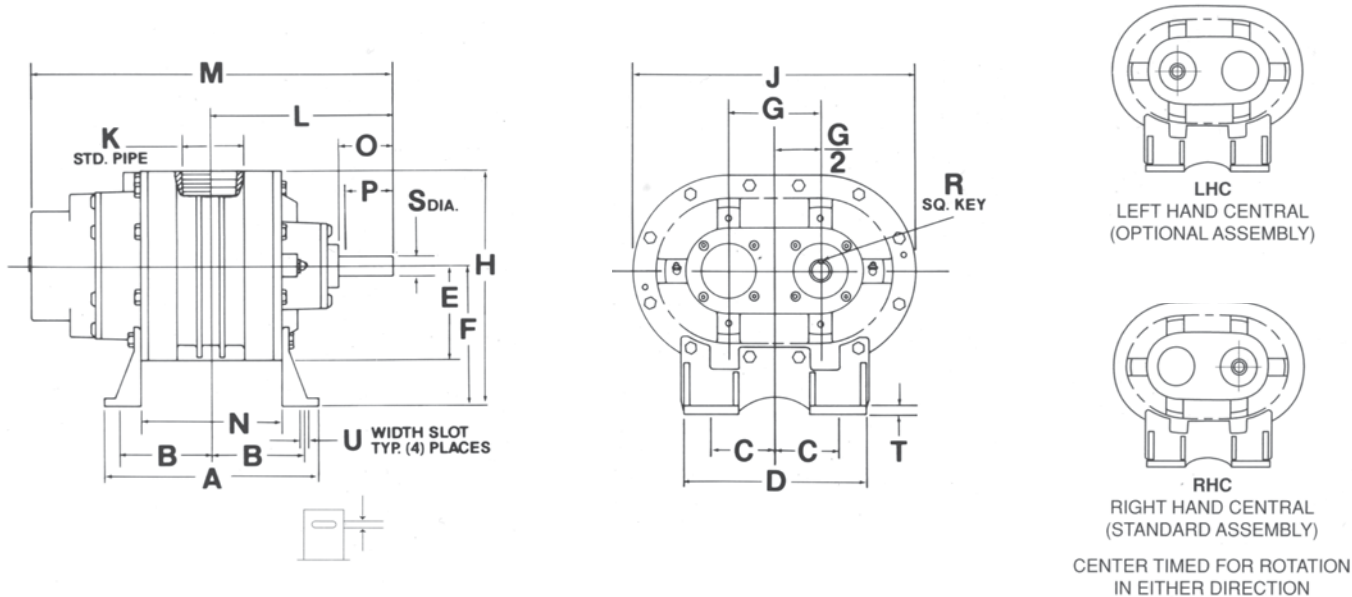
	SIZE	DIA. INLET & OUTLET	DISPL. CU. FT./REV.	RPM	6 "Hg		8 "Hg		12 "Hg		14 "Hg		15 "Hg		16 "Hg	
					CFM	BHP	CFM	BHP	CFM	BHP	CFM	BHP	CFM	BHP	CFM	BHP
HIGH VACUUM UNITS	3HP 3HVP	1¼"-S	0.045	1,760	55	1.1	50	1.5	40	2.2						
				2,265	78	1.4	73	1.9	62	2.8						
				2,770	100	1.7	95	2.3	85	3.5	79	4.1	76	4.4		
				3,600	138	2.3	133	3.0	122	4.5	117	5.3	113	5.7	110	6.0
	4HP 4HVP	1½"-S	0.069	1,760	91	1.7	85	2.3	72	3.4						
				2,190	121	2.1	115	2.8	102	4.2	95	4.9	91	5.3		
				2,620	151	2.5	144	3.4	132	5.1	124	5.9	120	6.3		
				3,600	218	3.5	212	4.6	199	6.9	192	8.1	188	8.7	184	9.3
	5HP 5HVP	2½"-S	0.140	1,500	170	2.9	161	3.9	144	5.9	134	6.8				
				1,760	206	3.4	198	4.6	180	6.9	171	8.0	165	8.6		
				2,100	254	4.1	245	5.5	228	8.2	218	9.6	213	10.3		
				2,850	359	5.6	350	7.4	333	11.2	323	13.0	318	14.0	312	14.9
6HP 6HVP	3"-S	0.227	1,170	209	3.7	197	4.8	173	7.4	159	8.7	152	9.3			
			1,760	343	5.6	331	7.4	307	11.2	293	13.0	286	14.0	278	14.9	
			1,930	381	6.1	370	8.2	345	12.2	332	14.3	325	15.3	317	16.3	
			2,350	477	7.5	465	9.9	441	14.9	427	17.4	420	18.6	412	19.9	
7HP 7HVP	4"-S	0.367	1,170	359	6.0	344	8.0	314	12.0	297	14.0	288	15.0	278	16.0	
			1,465	467	7.5	453	10.0	422	15.0	406	17.5	396	18.8	387	20.0	
			1,760	575	9.0	561	12.0	531	18.1	514	21.1	505	22.6	495	24.1	
			2,050	682	10.5	667	14.0	637	21.0	620	24.5	611	26.3	601	28.0	
8HP 8HVP	4"-S	0.566	880	400	7.0	380	9.3	338	13.9	315	16.2	302	17.4			
			1,170	564	9.3	544	12.3	502	18.5	479	21.6	466	23.1	453	24.7	
			1,375	680	10.9	660	14.5	618	21.7	595	25.4	582	27.2	569	29.0	
			1,800	921	14.2	901	19.0	859	28.5	835	33.2	823	35.6	809	38.0	

and Dimensional Data

Horizontal Configurations

SIZE	WT.	CONN.	A	B	C	D	E	F	G	H	J	K	L	M	N	O	P	R	S	T	U
2M	72	S	5	2	2	6 ³ / ₈	3 ³ / ₄	3 ³ / ₄	2 ³ / ₄	7	9 ¹ / ₄	1	5 ⁵ / ₃₂	10	2 ³ / ₄	1 ¹⁵ / ₁₆	1 ¹¹ / ₁₆	³ / ₁₆	.625	¹ / ₈	⁷ / ₁₆
2L	86	S	7	3	2	6 ³ / ₈	3 ³ / ₄	3 ³ / ₄	2 ³ / ₄	7	9 ¹ / ₄	2	6 ⁵ / ₃₂	12	4 ³ / ₄	1 ¹⁵ / ₁₆	1 ¹¹ / ₁₆	³ / ₁₆	.625	¹ / ₈	⁷ / ₁₆
3H	88	S	6 ³ / ₄	2 ¹¹ / ₁₆	2 ⁷ / ₈	7 ³ / ₄	3 ³ / ₈	5	3 ¹ / ₂	8 ⁷ / ₈	11 ¹ / ₄	1 ¹ / ₄	5 ¹³ / ₁₆	11 ⁷ / ₈	3 ¹ / ₂	2	1 ¹¹ / ₁₆	³ / ₁₆	.750	¹ / ₄	¹ / ₂ x ³ / ₄
3M	110	S	7 ⁵ / ₈	3 ³ / ₈	2 ⁷ / ₈	7 ³ / ₄	3 ³ / ₈	5	3 ¹ / ₂	8 ⁷ / ₈	11 ¹ / ₄	2	6 ¹ / ₄	12 ³ / ₄	4 ³ / ₈	2	1 ¹¹ / ₁₆	³ / ₁₆	.750	¹ / ₄	¹ / ₂ x ³ / ₄
3L	132	S	10 ¹ / ₄	4 ⁷ / ₁₆	2 ⁷ / ₈	7 ³ / ₄	3 ³ / ₈	5	3 ¹ / ₂	8 ⁷ / ₈	11 ¹ / ₄	2 ¹ / ₂	7 ⁷ / ₁₆	15 ³ / ₈	7	2	1 ¹¹ / ₁₆	³ / ₁₆	.750	¹ / ₄	¹ / ₂ x ³ / ₄
4H	138	S	7 ¹ / ₄	3	3	8	4 ³ / ₁₆	6 ¹ / ₄	4	10 ⁷ / ₁₆	12 ³ / ₈	1 ¹ / ₂	6 ⁷ / ₈	13 ³ / ₄	4	2 ³ / ₈	2 ⁷ / ₈	³ / ₁₆	.875	³ / ₈	¹ / ₂ x ³ / ₄
4M	160	S	9 ¹ / ₂	4 ¹ / ₈	3	8	4 ³ / ₁₆	6 ¹ / ₄	4	10 ⁷ / ₁₆	12 ³ / ₈	2 ¹ / ₂	8	16	6 ¹ / ₄	2 ³ / ₈	2 ⁷ / ₈	³ / ₁₆	.875	³ / ₈	¹ / ₂ x ³ / ₄
4L	182	S	12	5 ³ / ₈	3	8	4 ³ / ₁₆	6 ¹ / ₄	4	10 ⁷ / ₁₆	12 ³ / ₈	3	9 ¹ / ₄	18 ¹ / ₂	8 ³ / ₄	2 ³ / ₈	2 ⁷ / ₈	³ / ₁₆	.875	³ / ₈	¹ / ₂ x ³ / ₄
5H	210	S	8 ¹ / ₂	3 ¹ / ₂	3 ¹ / ₂	9	5 ³ / ₁₆	7	5	12 ³ / ₁₆	15 ³ / ₈	2 ¹ / ₂	8 ³ / ₁₆	17 ³ / ₁₆	4 ⁷ / ₈	2 ¹ / ₂	2 ¹ / ₄	¹ / ₄	1.125	³ / ₈	⁹ / ₁₆ x ³ / ₄
5M	232	S	10 ¹ / ₂	4 ¹ / ₂	3 ¹ / ₂	9	5 ³ / ₁₆	7	5	12 ³ / ₁₆	15 ³ / ₈	4	9 ³ / ₁₆	19 ³ / ₁₆	6 ⁷ / ₈	2 ¹ / ₂	2 ¹ / ₄	¹ / ₄	1.125	³ / ₈	⁹ / ₁₆ x ³ / ₄
5L	306	S	14 ¹ / ₂	6 ¹ / ₂	3 ¹ / ₂	9	5 ³ / ₁₆	7	5	12 ³ / ₁₆	15 ³ / ₈	4	11 ³ / ₁₆	23 ³ / ₁₆	10 ⁷ / ₈	2 ¹ / ₂	2 ¹ / ₄	¹ / ₄	1.125	³ / ₈	⁹ / ₁₆ x ³ / ₄
6H	318	S	9 ³ / ₄	3 ¹⁵ / ₁₆	4	11	6	8 ³ / ₄	6	14 ³ / ₄	18	3	9 ³ / ₁₆	19 ¹ / ₈	5 ³ / ₄	2 ¹⁵ / ₁₆	12 ¹ / ₃₂	⁵ / ₁₆	1.375	⁵ / ₈	³ / ₄ x 1
6M	366	S	13	5 ⁹ / ₁₆	4	11	6 ³ / ₁₆	8 ³ / ₄	6	15 ¹⁵ / ₁₆	18	5	10 ¹³ / ₁₆	22 ³ / ₈	9	2 ¹⁵ / ₁₆	12 ¹ / ₃₂	⁵ / ₁₆	1.375	⁵ / ₈	³ / ₄ x 1
6L	538	F	20	9 ¹ / ₁₆	4	11	7 ¹ / ₂	8 ³ / ₄	6	16 ¹ / ₄	18	6	14 ⁵ / ₁₆	29 ³ / ₈	16	2 ¹⁵ / ₁₆	12 ¹ / ₃₂	⁵ / ₁₆	1.375	⁵ / ₈	³ / ₄ x 1
7H	482	S	12	4 ⁵ / ₈	5 ¹ / ₂	15	9 ¹¹ / ₁₆	11	7	20 ¹¹ / ₁₆	22	4	10	21 ¹ / ₈	5 ³ / ₄	3 ³ / ₁₆	2 ⁷ / ₈	³ / ₈	1.562	¹ / ₂	³ / ₄ x 1
7M	638	F	17 ¹ / ₂	7 ³ / ₈	5 ¹ / ₂	15	8 ¹ / ₂	11	7	19 ¹ / ₂	22	6	12 ³ / ₄	26 ⁵ / ₈	11 ¹ / ₄	3 ³ / ₁₆	2 ⁷ / ₈	³ / ₈	1.562	¹ / ₂	³ / ₄ x 1
7L	770	F	24 ¹ / ₂	10 ⁷ / ₈	5 ¹ / ₂	15	8 ¹ / ₂	11	7	19 ¹ / ₂	22	8	16 ¹ / ₄	33 ⁵ / ₈	18 ¹ / ₄	3 ³ / ₁₆	2 ⁷ / ₈	³ / ₈	1.562	¹ / ₂	³ / ₄ x 1
8H	736	S	13 ¹ / ₂	5 ³ / ₄	6	16	10	12 ¹ / ₂	8	22 ¹ / ₂	25 ¹ / ₄	4	11 ¹¹ / ₁₆	24	7 ³ / ₄	3 ⁷ / ₈	3 ³ / ₈	³ / ₈	1.750	¹ / ₂	³ / ₄ x 1
8M	938	F	19	8 ¹ / ₂	6	16	10	12 ¹ / ₂	8	22 ¹ / ₂	25 ¹ / ₄	8	14 ⁷ / ₁₆	29 ¹ / ₂	13 ¹ / ₄	3 ⁷ / ₈	3 ³ / ₈	³ / ₈	1.750	¹ / ₂	³ / ₄ x 1
8L	1,170	F	27	12 ¹ / ₂	6	16	10	12 ¹ / ₂	8	22 ¹ / ₂	25 ¹ / ₄	10	18 ¹ / ₁₆	37 ¹ / ₂	21 ³ / ₄	3 ⁷ / ₈	3 ³ / ₈	³ / ₈	1.750	¹ / ₂	³ / ₄ x 1

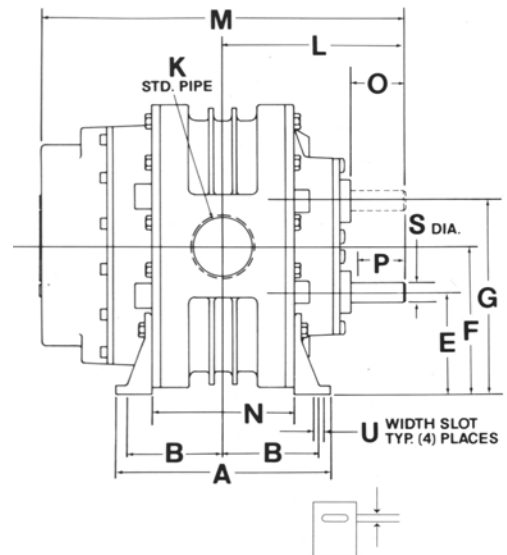
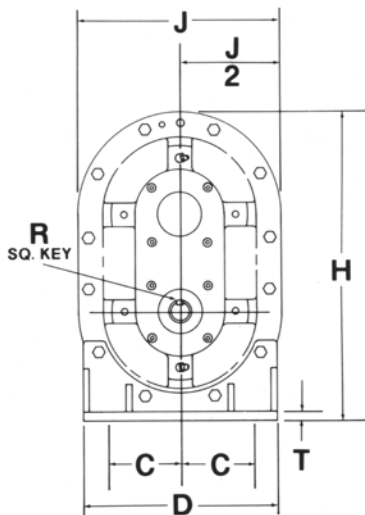
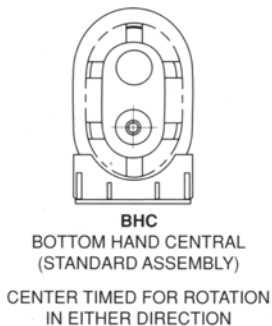
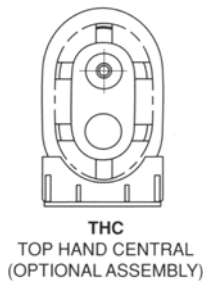
S=Threaded connections standard NPT. F=flange connections. Inlet and outlet connections are the same type and size. Dimensions are in inches. Weights are in pounds and include shipping cartons or pallets.



Vertical Configurations

SIZE	WT.	CONN.	A	B	C	D	E	F	G	H	J	K	L	M	N	O	P	R	S	T	U
2MV	72	S	5	2	1½	5⅝	3½	4⅞	6¼	9½	6½	1	5⅝	10	2¾	1⅝	1⅞	⅜	.625	⅛	⅞
2LV	86	S	7	3	1½	5⅝	3½	4⅞	6¼	9½	6½	2	6⅝	12	4¾	1⅝	1⅞	⅜	.625	⅛	⅞
3HV	88	S	6¾	2⅞	2½	6¾	4½	6¼	8	11⅞	7¾	1¼	5⅞	11⅞	3½	2	1⅞	⅜	.750	¼	½ x ¾
3MV	110	S	7⅝	3⅞	2½	6¾	4½	6¼	8	11⅞	7¾	2	6¼	12¾	4⅞	2	1⅞	⅜	.750	¼	½ x ¾
3LV	132	S	10¾	4⅞	2½	6¾	4½	6¼	8	11⅞	7¾	2½	7⅞	15⅞	7	2	1⅞	⅜	.750	¼	½ x ¾
4HV	138	S	7¼	3	3	8	4½	6½	8½	12⅞	8⅞	1½	6⅞	13¾	4	2⅞	2⅞	⅜	.875	⅜	½ x ¾
4MV	160	S	9½	4⅞	3	8	4½	6½	8½	12⅞	8⅞	2½	8	16	6¼	2⅞	2⅞	⅜	.875	⅜	½ x ¾
4LV	182	S	12	5⅞	3	8	4½	6½	8½	12⅞	8⅞	3	9¼	18½	8¾	2⅞	2⅞	⅜	.875	⅜	½ x ¾
5HV	210	S	8½	3½	3½	9	5½	8	10½	15⅞	10⅞	2½	8⅞	17⅞	4⅞	2½	2¼	¼	1.125	⅜	⅞ x ¾
5MV	232	S	10½	4½	3½	9	5½	8	10½	15⅞	10⅞	4	9⅞	19⅞	6⅞	2½	2¼	¼	1.125	⅜	⅞ x ¾
5LV	306	S	14½	6½	3½	9	5½	8	10½	15⅞	10⅞	4	11⅞	23⅞	10⅞	2½	2¼	¼	1.125	⅜	⅞ x ¾
6HV	318	S	9¾	3⅞	4	11	8¾	11¾	14¾	20¾	12	3	9⅞	19⅞	5¾	2⅞	1⅞	⅞	1.375	⅞	¾ x 1
6MV	366	S	13	5⅞	4	11	8¾	11¾	14¾	20¾	12⅞	5	10⅞	22⅞	9	2⅞	1⅞	⅞	1.375	⅞	¾ x 1
6LV	538	F	20	9⅞	4	11	8¾	11¾	14¾	20¾	15	6	14⅞	29⅞	16	2⅞	1⅞	⅞	1.375	⅞	¾ x 1
7HV	482	S	12	4⅞	5½	14	11	14½	18	25½	19⅞	4	10	21⅞	5¾	3⅞	2⅞	⅜	1.562	½	¾ x 1
7MV	638	F	17½	7⅞	5½	14	11	14½	18	25½	17	6	12¾	26⅞	11¼	3⅞	2⅞	⅜	1.562	½	¾ x 1
7LV	770	F	24½	10⅞	5½	14	11	14½	18	25½	17	8	16¼	33⅞	18¼	3⅞	2⅞	⅜	1.562	½	¾ x 1
8HV	736	S	13½	5¾	6	16	12½	16½	20½	29⅞	20	4	11⅞	24	7¾	3⅞	3⅞	⅜	1.750	½	¾ x 1
8MV	938	F	19	8½	6	16	12½	16½	20½	29⅞	20	8	14⅞	29½	13¼	3⅞	3⅞	⅜	1.750	½	¾ x 1
8LV	1,170	F	27	12½	6	16	12½	16½	20½	29⅞	20	10	18⅞	37½	21¼	3⅞	3⅞	⅜	1.750	½	¾ x 1

S=Threaded connections standard NPT. F=flange connections. Inlet and outlet connections are the same type and size. Dimensions are in inches. Weights are in pounds and include shipping cartons or pallets.



1.630.372.9222 with AEON™
PD, the only lubricant specially formulated for
all blowers in any environment

- 100% synthetic for matchless service life
- Retains its superior lubricating properties a minimum of four times longer than a premium grade mineral oil at most operating conditions
- Eliminates seasonal oil viscosity grade changes
- Superior lubrication in severe, high temperature applications
- Available from your local authorized Sutorbilt distributor in convenient sizes to meet your needs
- Food grade lubricant available

**Retain your Sutorbilt advantage with
Genuine Gardner Denver Replacement Parts**

- Gardner Denver guarantees to supply the proper parts for your specific blower every time. Replacement parts incorporate the most recent design upgrades.
- All parts meet Gardner Denver original manufacturing specifications and tolerances for guaranteed fit and function.
- Pre-packaged overhaul kits with detailed service manuals are available from your local authorized Sutorbilt distributor.



**Gardner
Denver®**

For additional information contact your local representative or
Gardner Denver, 1800 Gardner Expressway, Quincy, IL 62305
Customer Service Department
Telephone: (800) 682-9868 FAX: (217) 221-8780
Sales and Service in all major cities.
www.GardnerDenver.com pd.blowers@gardnerdenver.com

